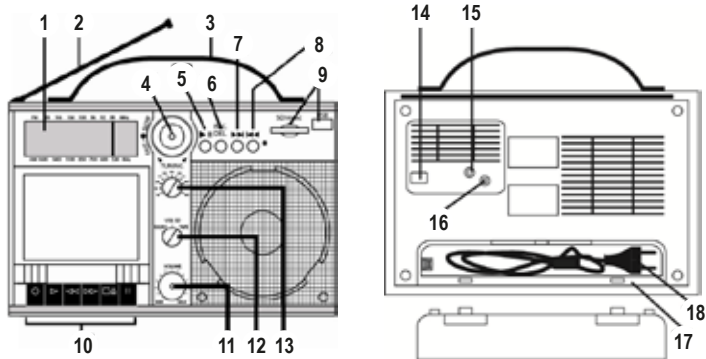


**használati utasítás
návod na pou itie
manual de utilizare
uputstvo za upotrebu
navodilo za uporabo
návod k pou ití**





Nr.	EN	HU	SK	RO	SRB	SLO	CZ
1.	SCALE	rádió skála	stupnica rádia	scală radio	skala	skala	stupnice rozhlasových stanic
2.	ANTENNA	teleszkópos antenna	teleskopická anténa	anténă telescopică	teleskopska antena	teleskopska antena	teleskopická anténa
3.	HANDLE	hordfűl	držiak	măner pentru transport	držka	držalo	držadlo
4.	TUNING	állomás kereső/finomhangoló	vyhľadávanie staníc / jemné ladenie	căutare posturi / reglare fină	biranje stanice, fino podešavanje	izbiranje postaje, natančne nastavitve	vyhledávání staníc/jemné ladění
5.	PLAY/PAUSE	lejtszás/szünet	prehrávanie / pauza	redare / pauză	reprodukcija/pauza	predvajanje/pauza	přehrávání/pauza
6.	REC/DEL	felvétel/vissza játszás	nahrávanie / prehrávanie nahrávky	înregistrare / redare	snimanje	snevanje	zvukový záznam/ přehrávání
7.	FORWARD	előre léptetés	krok vpred	pas înainte	napred	Naprej	vyhledávání dopředu
8.	BACK	vissza léptetés	krok vzad	pas înapoi	nazad	Nazaj	vyhledávání zpátky
9.	USB/SD SLOT	USB/SD csatlakozó	USB / SD prípojka	sociu USB/SD	USB/SD priključak	USB/SD priključek	konektor pro USB/SD
10.	CASSETTE UNIT	magnó billentyűk	tláčidlá magnetofónu	butoane casetofon	tasteri kasetofona	tipke kasetofona	tláčilka magnetofonu
11.	VOLUME	hangerő-szabályozó	regulátor hlasitosti	potențiometr	podešavanje jačine zvuka	nastavitev jakosti zvoka	regulace hlasitosti
12.	MODE	mód választó	výber režimu	selecție mod de funcționare	odabir režima	izbira režima	volba režimů
13.	BAND	hullámsáv váltó	zmena pásma	schimbare bandă	odabir talasne dužine	izbira valovne dolžine	volba vlnových pásem
14.	AC IN	hálózati aljzat	sieťová zásuvka	sociu de alimentare	strujna utičnica	električna vtičnica	síťový konektor
15.	PHONES	fejhallgató kimenet	výstup slúchadiel	ieșire căști	izlaz za slušalice	izhod za slušalke	výstup pro sluchátka
16.	DC IN	6 V ^{DC} csatlakozó aljzat	6 V ^{DC} pripojovacia zásuvka	6 V ^{DC} soclu de conectare	priključak 6 V ^{DC}	priključek 6 V ^{DC}	konektor pro 6 V ^{DC}
17.	COVER	elemtartó	puzdro na batérie	suport pentru baterii	držač baterija	držalo baterija	schránka na baterie
18.	POWER CABLE	hálózati csatlakozókábel	sieťový pripojovací kábel	cablu de conectare la rețea	strujni napojni kábel	Električni napetostni kábel	síťový napájecí kábel

FM band	88,0-108,0 MHz
AM band	530-1600 kHz
SW band	5,13-18,8 MHz
File system	MP3 - FAT32, max.32 GB
Cassette system	Auto-Stop C-60/90 Type-I
Microphone	Condenser capsule
Power output	3 W
Speaker	100 mm / 4 Ohm

S/N	≥ 56 dB
THD	< 5%
Frequency range	100 - 20.000 Hz
Battery	4 x D/LR20 (1,5 V)
Ext adaptor/solar	6 V ^{DC}
Power	230 V~ 50 Hz / 5 W
Ta	0°C ... +35°C
Dimensions / Weight	280 x 170 x 100 mm / 1,5 kg

retro cassette recorder

Before using the product for the first time, please read the instructions for use below and retain them for later reference. The original instructions were written in the Hungarian language.

This appliance may only be used by persons with impaired physical, sensory or mental capabilities, or lacking in experience or knowledge, as well as children from the age of 8, if they are under supervision or have been given instruction concerning use of the appliance, and they have understood the hazards associated with use. Children should not be allowed to play with the unit. Children may only clean or perform user maintenance on the appliance under supervision. After unpacking the device, make sure it has not been damaged during transit. Keep children away from the packaging, if it contains a polybag or other significant risk component!

- 11 bands world receiver AM-FM-SW radio • Fine tuning dual knob • Cassette recording with auto-stop function • Built-in microphone • MP3/WMA playing from USB/SD device • Digitalizing old analogue recordings • Recording on cassettes or onto USB/SD device from all available signal sources • Voice of microphone or radio can be recorded in both cases • You can achieve your old cassettes digitalized in MP3 format on USB or SD device • Headphone socket: \varnothing 3.5 mm • Power supply: power cable is included, 4 x D/LR20 (1,5 V) battery (not included), outer 6 V--- adapter (not included)

INSTALLATION, POWER SUPPLY

The device has three different power supply options. Plug the supplied connecting cable into the socket on the backside and then into the power network. In addition, you can operate it with 4 x D (LR20 / 1,5 V) batteries or with separately purchasable 6 V--- solar panel, accumulator or adapter (MW 3K10 optional) connected to the rear (16) socket.

- Place the 4 pcs D type batteries to the battery holder according to the marked polarity. If you operate the device with battery or accumulator, they won't be charged by using the power cable nor by applying 6V outer power supply.
- When not in use, unplug it from the mains outlet! Remove the batteries when you connect it to the mains power network!
- Decreasing volume or distorted sound indicates battery exhaustion. Immediately remove them!
- Do not use different type or condition batteries! Battery replacement can only be performed by adults!
- If there is some liquid flow out from the battery, then take a protective glove and clean the battery holder with a dry cloth! Do not open, burn or short circuit the batteries! It is forbidden to charge the non-rechargeable batteries! Risk of explosion! Do not use accumulators instead of batteries, since their voltage and efficiency is significantly smaller!

SELECTING FUNCTIONS

The unit is switched off when the function button (12.) is in TAPE stand and the cassette player is not in use. Three available operation modes are:

RADIO: you can search radio stations on 11 bands

USB/SD: SD card or USB device can be connected for playing music or recording

TAPE: playing from cassettes, cassette recording

USING THE RADIO

Set the switch (12.) to **RADIO** position then choose the desired band with (13.) switch. In case of FM and SW band, carefully pull out the antenna and set to get the best reception. Tune the desired radio station with **TUNING** (4.) dual knob. You can make fine tuning with the upper part of the knob.

- Reception ability of radio depends on the site of use, and the actual reception conditions.
- Handle the antenna with care, so as not to crush it!
- In case of listening to AM band, there will be a built-in antenna operated. Don't pull out the telescopic antenna, but rotate the device to the best receiving position.
- Reception may be disturbed by the electronic appliances nearby!

MP3/WMA PLAYING (FROM SD CARD OR USB DEVICE)

Insert a data storage device to the conforming slot/socket. Playing will start automatically. Available functions: ▶ || playing, pause (5.) / ⏮⏭ stepping programmes (7.) (8.) / REC starting recording and playback (6.).

You can make recordings from all available signal sources. Choose e.g. the desired radio station, then press REC (6.) button. The red LED will start flashing quickly and the recording will start immediately to the inserted USB or SD device. For recording from the built-in microphone, you only need to start the recording in USB/SD mode. By repeated press of REC (6.) button, the recording will stop and it will be played. The red LED will be flashing slower this time.

- Recording will be saved to numbered „rec“ folder in MP3 format (=128 kB/s).
- Previously saved tracks can be deleted from the data holder, so previously make a security copy to your computer.
- Do not remove the memory card or USB device during operation, since it may cause damage of data!
- Recommended file structure is: FAT32. Do not use NTFS formatted memory device!
- After inserting the memory unit, playing will start from the first track. If you have been listening to it previously, then the playing will go on from the last selected track, even if the device had been switched off or the memory device had been removed.
- Abnormal operation may be caused by the unique features of the mass storage device, which does not indicate a malfunction of the device!

USING THE CASSETTE RECORDER

Using the buttons below the cassette compartment, you can handle the tape in a traditional way. Press them firmly, but carefully. Insert the cassette so that it has its opening at the bottom and the full spindle on the left side. After playing the actual side, it will switch off. Turn the cassette then and restart playing.

For recordings insert an empty tape and press the record and play buttons together (two buttons on the left side). In addition it is forbidden to press two buttons at the same time! First stop playing or recording with **STOP** button, if you want to use the quick winding buttons.

If fast rewinding is at the end of the cassette, press the **STOP** button immediately. Always use **STOP** to exit the previous function before changing mode. You can always record from the source you are listening to. The built-in microphone is located to the left of the **VOLUME** button. If you want to record, just start recording in **TAPE** mode and bend close to it.

- Mainly the use of C-60 (C-90) TYPE-I cassette is recommended!
- Pressing of rec button is not possible without a cassette or a broken erase inhibitor tab, do not force it!
- The AUTO-STOP function operates in playing and recording mode.
- Be careful not to get a hook inside of the cassette during handling, as this may cause disruption of the tape!
- When playing other recordings made with a different device, they may cause a high sound loss due to the azimuth deviation -when the heads are set differently. This is not the lack of this device.
- Do not store the cassette near electrical appliances or magnets!

MULTIPLE RECORDING

You can make recordings on cassettes or on USB/SD device in many way. In both cases, you can record the built-in microphone or radio sound. You can digitally archive your old cassettes in MP3 format on your USB or SD device. You can copy these files later on your computer or phone.

- Sound quality varies by application depending on the source and technology. It is not recommended to copy on the tape from the USB / SD device due to weaker sound quality.

HEADPHONE OUTPUT

You can connect your headphone equipped with 3,5 mm plug to the **PHONES** socket located at the back of the device. Speaker will switch off. While the device is mono, there will be mono sound audible from both speakers of the headphone.

CLEANING

Switch off and power off the unit by unplugging it from the electric outlet before cleaning! Use a dry, soft cloth to clean the plastic housing! Do not use any aggressive cleaners or liquids! Avoid getting water inside and on the connectors of the unit!

When using the tape recorder regularly, it is necessary to clean the tapes, rollers, and heads that are in contact with the tape, once a month by a qualified person. Special cleaning liquid is required for this operation.

TROUBLESHOOTING

In case of detecting any malfunction, switch off and power off the device by unplugging it from the electric outlet! Try to switch on again later. If the problem still persists, see the following list. This guide will help you to identify the error, if the device is connected as prescribed. If necessary, contact a professional!

- Device doesn't work, speaker doesn't operate.

- Not the proper signal source is selected or the device is muted.
 - Check the position of the VOLUME knob and RADIO/USB-SD/TAPE switches.
- Power cable is not connected properly.
 - Check the correct plugging of the cable to the device and to the electric outlet.
- Playing of the cassette is finished, the tape switched off.
 - Turn the cassette so as to get the full spindle on the left side.

- Playing from the USB/SD source is not working.

- MP3 data source is not connected properly.
 - Check the pairing between the mobile device and the radio.
 - Check the data content of the storage device and its functionality with a computer.
 - Check the power supply!

WARNINGS

- Please read the instructions carefully before use, and keep it to have it available in the future!
- After use, turn off the device and unplug it from the power network!
- Do not cover the device, ensure free flow of air when located! Covering the unit may cause overheating, risk of fire and risk of electric shock!
- Due to compressed files, applied compression program and SD/USB memory quality, improper operation may occur, which is not the shortage of the device.
- Playing of supported files is not granted in all case, since it can be affected by software and hardware conditions which are independent from the manufacturer. Playing of copyrighted DRM files is not granted!
- There may be differences between the different audio files, due to their different parameters of volume and sound quality.
- Do not store other types of files on the memory card then the playable audio files because they can slow down or hold playing.
- Manufacturer is not liable for the lost or damaged data, etc., even if it happened while using this product. It is recommended to make a backup file to your personal computer about the data, tracks, etc., stored on the connected memory device.
- Immediately turn off the unit if there are any defects, and contact a professional! Many disorders (no sound, unpleasant smell, foreign objects in the product, etc.) can be easily detected.
- Do not connect cables during operation!
- Due to the presence of the mains voltage comply with the usual rules to protect life! It is forbidden to touch the unit or the connection cable with wet hands! In case of any damage of the power cable, power off the unit immediately!
- The appliance should be located so as to allow easy access and removal of the power plug! Lead the power cable so as to prevent it from being pulled out accidentally or tripped over! Do not lead the power cable under carpets, doormats etc.!
- Speakers contain magnets, so do not place such objects near them which are sensitive to magnetic field (e.g.: credit card, cassette, compass ...)
- The appliance may only be connected to 230V ~50 Hz grounded electric wall outlets!
- Remove the batteries when using it with power supply from the mains network!
- Do not expose the device to splashing water and do not place objects, filled with liquids e.g.: glass on it! Open source of flame, like lit candle cannot be placed onto the unit!
- Do not attempt to disassemble or modify the unit or its accessories, because it can cause fire, accident or electric shock!
- Protect it from dust, humidity, liquids, heat, dampness, frost, shock and direct thermal radiation or sunshine! Use only indoor, in dry circumstances!
- There is no warranty for the failures, resulting from improper installation or irresponsible use.
- Somogyi Elektronik Ltd. certifies, that this radio-equipment conforms to 2014/53/EU directive. Full text of EU Certification of Conformity is available at the following website: www.somogyi.hu
- Due to continuous improvements the design and specifications may change without any prior notice.
- We don't take the responsibility for printing errors and apologize if there's any.



Caution: Risk of electric shock! Do not attempt to disassemble or modify the unit or its accessories. In case any part is damaged, immediately power off the unit and seek the assistance of a specialist.



In the event that the power cable should become damaged, it should only be replaced with cables obtained from the manufacturer or its service facility.



To prevent possible hearing damage, do not listen at high volume levels for long periods.



Waste equipment must not be collected separately or disposed of with household waste because it may contain components hazardous to the environment or health. Used or waste equipment may be dropped off free of charge at the point of sale, or at any distributor which sells equipment of identical nature and function. Dispose of product at a facility specializing in the collection of electronic waste. By doing so, you will protect the environment as well as the health of others and yourself. If you have any questions, contact the local waste management organization. We shall undertake the tasks pertinent to the manufacturer as prescribed in the relevant regulations and shall bear any associated costs arising.

DISPOSING OF ALKALINE AND RECHARGEABLE BATTERIES

Batteries, whether alkaline or rechargeable, must not be handled together with regular household waste. It is the legal obligation of the product's user to dispose of batteries at a nearby collection center or at a retail shop. This ensures that the batteries are ultimately neutralized in an environment-friendly way.



retro kazettás rádió

A termék használatba vétele előtt, kérjük, olvassa el az alábbi használati utasítást és őrizze is meg. Az eredeti leírás magyar nyelven készült. Ezt a készüléket azok a személyek, akik csökkent fizikai, érzékelési vagy szellemi képességekkel rendelkeznek, vagy akiknek a tapasztalata és a tudása hiányzik, továbbá gyermekek 6 éves kortól csak abban az esetben használhatják, ha az felügyelet mellett történik, vagy a készülék használatára vonatkozó útmutatást kapnak, és megértik a biztonságos használatból eredő veszélyeket. Gyermekek nem játszhatnak a készülékkel. Gyermekek kizárólag felügyelet mellett végezhetik a készülék tisztítását vagy felhasználói karbantartását. Kicsomagolás után győződjön meg róla, hogy a készülék nem sérült meg a szállítás során. Tartsa távol a gyermekeket a csomagolástól, ha az zacskót vagy más veszélyt jelentő összetevőt tartalmaz!

• 11 éves világvérvő AM-FM-SW rádió • Finomhangoló kettős forgatógomb • Kazettás magnó felvétel és auto-stop funkcióval • Beépített mikrofon • MP3/WMA lejátszás USB/SD eszközről • Régi analóg felvételek digitalizálása • Minden elérhető jelforrás felvétele kazettára vagy USB/SD eszközre • Mindkét esetben rögzítheti a beépített mikrofon vagy a rádió hangját • Digitalizálva archiválhatja régi magnókazettáit MP3 formátumban USB vagy SD eszközre • Fejhallgató csatlakozó aljzat: Ø3.5mm • Tápellátás: tartozék hálózati kábel, 4xDSL/R20 (1,5 V) elem (nem tartozék), külső 6 V== adapter (nem tartozék)

ÜZEMBE HELYEZÉS, TÁPELLÁTÁS

A készülék három különböző tápellátási lehetőséggel rendelkezik. A mellékelt csatlakozókábellet dugja be a hátoldalon található aljzatba, majd a hálózatba. Ezen kívül működtetheti 4 x D (LR20 / 1,5 V) elemről, vagy a hátoldali (16.) aljzathoz csatlakoztatott - külön beszerzendő - 6 V == napelemeről, akkumulátorról vagy adapterről. (opció: MW 3K10)

- A 4 x D elemet helyezze az elemtartóba az ott jelölt polaritásnak megfelelően. Ha elemről vagy akkumulátorról használja, azok nem töltődnek sem a hálózati kábel, sem külső 6 Voltos tápellátás alkalmazásával sem.
- Használaton kívül húzza ki a hálózatból! Vegye ki az elemeket, ha a hálózathoz csatlakoztatja!
- A csökkenő hangerő vagy torz hangzás az elemek kimerülésére utal. Azonnal távolítsa el azokat!
- Ne használjon különböző gyártmányú vagy állapotú elemeket! Az elemcsere csak felnőt végezheti el!
- Ha abból esetleg kifolyt a folyadék, akkor vegyen fel védőkesztyűt és száraz ruhával tisztítsa meg az elemtartót! Az elemeket tilos felnyitni, tűzbe dobni vagy rövidre zární! A nem tölthető elemeket tilos tölteni! Robbanásveszély! Az elemek helyett ne tegyen bele akkumulátorokat, mert azok feszültsége és hatásköze jelentősen kisebb!

FUNKCIÓK KIVÁLASZTÁSA

A készülék akkor van kikapcsolva, ha a funkció választó kapcsoló (12.) TAPE állásban van és nincs működtetve a kazettás magnó. A három elérhető üzemmód:

RADIO: 11 hullámhosszon kereshet rádióadókat

USB/SD: SD memóriakártya vagy USB eszköz csatlakoztatható lejátszáshoz vagy felvétellez

TAPE: kazetták lejátszása vagy felvétele lehetséges

A RÁDIÓ HASZNÁLATA

Állítsa **RADIO** pozícióba a (12.) kapcsolót majd válassza ki a kívánt hullámhosszát a (13.) kapcsolóval. FM és SW sáv esetén óvatosan húzza ki az antennát és állítsa be a legjobb vételnek megfelelően. Hangolja be a kívánt rádióállomást a **TUNING** (4.) kettős forgatógombbal. A gomb belső részével végezhet finomhangolást.

- A rádió vételképessége nagymértékben függ a használat helyétől, az aktuális vételi viszonyoktól.
- Óvatosan kezelje az antennát, hogy ne törje el!
- AM sáv hallgatása esetén egy beépített antenna működik. Ne húzza ki az antennát, hanem a készüléket fordítsa a legjobb vételi pozícióba.
- A közelben található elektromos berendezések zavarhatják a vételt.

MP3/WMA LEJÁTSZÁS (SD MEMÓRIAKÁRTYÁRÓL VAGY USB ESZKÖZRŐL)

Helyezzen egy adattárolót a megfelelő aljzatba. A lejátszás automatikusan megkezdődik. Elérhető funkciók: ▶ II lejátszás, szünet (5.) / ◀▶ műsorszám léptetése (7.) (8.) / REC felvétel indítása és visszajátszása (6.)

Minden elérhető jelforrásról készíthet felvételt. Válassza ki például a kívánt rádióállomást, majd nyomja meg a **REC** (6.) gombot. A piros LED gyorsan villogni kezd és a felvétel azonnal megkezdődik a behelyezett USB vagy SD eszközre. A beépített mikrofonról történő felvételhez csak el kell indítani a felvételt **USB/SD** módban. A **REC** (6.) gomb újabb megnyomására a felvétel megáll és a felvétel lejátszásra kerül. A piros LED közben lassan villog.

- A felvétel MP3 formátumú (=128 kb/s) és sorszámozott „rec” mappákba kerül mentésre.
- A tárolón lévő korábbi anyag törölhető, ezért arról készítsen előzőleg biztonsági másolatot számítógépére.
- Működtetés közben ne távolítsa el a memóriakártyát vagy USB eszközt, mert az adatok sérülését okozhatja!
- A javasolt fájlrendszer: FAT32. Ne alkalmazzon NTFS formattálási memóriaeegységet!
- A memória egység behelyezésekor az első dallót indul a lejátszás. Ha előzőleg már hallgatta, akkor az utólagos kiválasztott műsorszámot folytatódik a lejátszás akkor is, ha közben kikapcsolta a készüléket és eltávolította az eszközt.
- Rendellenes működést okozhatnak a háttértároló egyedi jellemzői, ez nem utal a készülék meghibásodására!

A KAZETTÁS MAGNÓ HASZNÁLATA

A kazettafélek alatti gombokkal, hagyományos módon kezelheti a magnót. Azokat határozottan, de óvatosan nyomja be. A kazettát úgy kell behelyezni, hogy a nyílása alul, a telts óri pedig a baloldalon legyen. Az aktuális oldal lejátszása után kikapcsol. Ekkor fordítsa meg a kazettát és indítsa el újra a lejátszást.

A felvételhez helyezzen be egy üres kazettát és nyomja be együtt a felvételt és lejátszás (bal szélső kettő) gombot. Ezen kívül tilos egyidejűleg két gombot megnyomni! Először állítsa meg a lejátszást vagy felvételt a **STOP** gombbal, ha a gyorscsévlő gombokat kívánja használni. Ha a gyorscsévlés a kazetta végére ér, nyomja meg azonnal a **STOP** gombot. Üzem mód váltás előtt mindig a **STOP** gombbal lépjen ki az előző funkcióból! Mindig arról a jelforrásról tud felvételt készíteni, amit éppen hallgat. A beépített mikrofon a **VOLUME** gombtól balra található. Ha arról kíván felvételt készíteni, csak indítsa el a felvételt **TAPE** módban és hajoljon közel hozzá.

- Első sorban C-60 (C-90) TYPE-I kazetta alkalmazása javasolt.
- Kazetta nélkül vagy kitört törés-gátló füllel nem lehetséges a felvétel gomb benyomása, ne erőltesse azt!
- Az **AUTO-STOP** funkció lejátszás és felvétel módban működik.
- Ügyeljen rá, hogy kezelés közben ne keletkezzen a kazetta belsejében hurok, mert az a magnószalag elszakadását okozhatja!
- Más készülékkel készített felvételek lejátszásakor - azok eltérő fej-beállítása esetén - magas hang veszteség léphet fel azimut eltérés miatt. Ez nem a készülék hiányossága.
- A kazettát ne tárolja elektromos berendezések vagy mágnesek közelében!

MULTI FELVÉTEL

Sokoldalon készíthet felvételt a kazettára vagy az USB/SD eszközre. Mindkét esetben rögzítheti a beépített mikrofon vagy a rádió hangját. Digitalizálva archiválhatja régi magnókazettáit MP3 formátumban USB vagy SD eszközre. Ezeket a fájlokat később átmásolhatja számítógépére vagy telefonjára.

- A hangminőség alkalmazásnéként változik az adott jelforrásból és technológiától függően. Nem javasolt a kazettára másolni az USB/SD eszközről a gyengébb hangminőség miatt.

FEJHALLGATÓ KIMENET

A hátoldali **PHONES** aljzathoz csatlakoztathatja 3,5 mm-es dugóval ellátott fejhallgatóját. A hangszóró kikapcsol. Mivel a készülék mono, a sztereo fejhallgató mindkét hangszórójából mono hang hallható.

TISZTÍTÁS

Tisztítás előtt áramtalanítsa a készüléket a csatlakozódugó kihúzásával! Száraz, puha törökendővel tisztítsa meg a készülék műanyag burkolatát. Ne használjon agresszív tisztítószereket! Ne kerüljön folyadék a készülék belsejébe és a csatlakozókra! A magnó rendszeres használata esetén havonta szükséges az áramtalanított készülékeken szakembernek megtszintania a magnószalaggal érintkező tengelyeket, görgőket, fejeiket. A művelethez speciális tisztító folyadék szükséges

HIBAEHÉLYESÍTÉS

Hiba észlelése esetén kapcsolja ki a készüléket és húzza ki a hálózatról! Később próbálja meg visszakapcsolni. Ha a probléma továbbra is fennáll, tekintse át a következő jegyzéket. Ez az útmutató segíthet a hiba behatárolásában, ha egyenként a készülék előírás szerint van csatlakoztatva. Szükség esetén forduljon szakemberhez!

- Nem működik a készülék, nem szól a hangszóró

- Nem a megfelelő jelforrás van kiválasztva vagy le van halkítva.
 - Ellenőrizze a VOLUME forgatógomb és a RADIO/USB-SD/TAPE kapcsoló pozícióját.
- A hálózati kábel nincs megfelelően csatlakoztatva.
 - Ellenőrizze a csatlakozókábel korrekt bedugását a készülékbe és a hálózati aljzatba.
- A kazetta lejátszása befejeződött és a magnó kikapcsolt.
 - Fordítsa meg a kazettát úgy, hogy a tele orsó a baloldalon legyen.

- Nem működik a lejátszás az USB/SD jelforrásról

- Az MP3 adattároló csatlakoztatása nem megfelelő
 - Ellenőrizze az adattároló tartalmát és működőképességét egy számítógéppel.
 - Ellenőrizze a tápellátás meglétét.

FIGYELMEZTETÉSEK

- *Kérjük, a használatbavétel előtt olvassa el figyelmesen ezt az útmutatót és tegye el a későbbiekben is hozzáférhető helyre!*
- *A használat befejezése után kapcsolja ki és húzza ki a hálózatról a csatlakozódugót!*
- *Ne takarja le a készüléket, elhelyezésétől biztosítsa a levegő szabad áramlását! Letakarása túlmelegedést, tűzveszélyt, áramütést okozhat!*
- *A tömörített fájlokról, az alkalmazott tömörítőprogramról és az SD/USB memória minőségéből adódóan előfordulhat olyan téves működés, amely nem a készülék hiányosságáa.*
- *A támogatott fájlok lejátszása sem garantált minden esetben, mert azt befolyásolhatják a gyártótól független szoftveres és hardveres körülmények. Nem garantált a szerzői jogvédett DRM fájlok lejátszása!*
- *A különböző audio fájlok hangereje és hangminősége között különbség lehet azok eltérő paramétereiből adódóan.*
- *A lejátszható fájlokon kívül ne tároljon más típusú fájlokat az eszközön, mert az lassíthatja, akadályozhatja a lejátszást.*
- *Az elvesztett vagy megsérült adatokért stb. a gyártó nem vállal felelősséget, még akkor sem, ha az adatok stb. termék használata közben vesznek el. Előzőleg javasolt biztonsági másolatot készíteni a csatlakoztatott adathozórón található adatokról, műsorszámokról a személyi számítógépre.*
- *Azonnal kapcsolja ki a készüléket, ha bármilyen hibát észlel, és forduljon szakemberhez! Számos rendellenesség (nincs hang, kellemetlen szag, idegen tárgy a készülékben, stb.) könnyen észlelhető.*
- *Ne végezzen kábelcsatlakoztatást működés közben!*
- *A hálózati feszültség jelenléte miatt tartsa be a szokásos életvédelmi szabályokat! Nedves kézzel tilos a készülék vagy a csatlakozókábel megérintése! A hálózati csatlakozókábel megsérülése esetén azonnal áramtalanítsa a készüléket!*
- *A készüléket úgy helyezze el, hogy a csatlakozódugó könnyen hozzáférhető, kihúzható legyen! Úgy vezesse a csatlakozókábelt, hogy az véletlenül ne húzódhasson ki, illetve ne botothasson meg benne senki! Ne vezesse a csatlakozókábelt szőnyeg, lábtöröl, stb. alatt!*
- *A hangszórókó magneseiket tartalmaznak, ezért ne helyezze közelükbe az erre érzékeny termékeket (pl. hitelkártya, magnókazetta, iránytű...)*
- *Csak 230V~50Hz feszültségű, szabványos csatlakozóaljzatba szabad csatlakoztatni!*
- *Vegye ki az elemeket, mielőtt a hálózathoz csatlakoztatja!*
- *A készüléket ne érje fröccsenő víz, és ne tegyen folyadékkal töltött tárgyakat, pl. poharat a készülékre! Nyílt lángforrás, mint égő gyertya, nem helyezhető a készülékre!*
- *Ne szedje szét, ne alakítsa át a készüléket, mert tüzet, balesetet vagy áramütést okozhat!*
- *Óvja portól, párától, folyadéktól, hőtől, nedvességtől, fagytól és ütédeéstől, valamint a közvetlen hő- vagy napsugárzástól! Kizárólag száraz, beltéri körülmények között használható!*
- *A nem rendeltetészerű üzembe helyezés vagy szakszerűtlen kezelés a jótállás megszűnését vonja maga után*
- *A Somogyi Elektronik Kft. igazolja, hogy a rádió-berendezés megfelel a 2014/53/EU irányelvnek. Az EU Megfelelőségi Nyilatkozat teljes szövege elérhető a következő internetes címen: www.somogyi.hu*
- *A folyamatos továbbfejlesztések miatt műszaki adat és a design előzetes bejelentés nélkül is változhat.*
- *Az esetleges nyomdahibákért felelősséget nem vállalunk, és elnézést kérünk.*



Áramütésveszély! Tilos a készülék vagy tartozékainak szétszerelése, átalakítása! Bármely rész megsérülése esetén azonnal áramtalanítsa és forduljon szakemberhez.



Ha a hálózati csatlakozóvezeték megsérül, azt kizárólag az eredetivel megegyező típusúra szabad kicserélni!



Az esetleges halláskárosodás megelőzése érdekében ne hallgassa nagy hangerővel hosszabb időn keresztül!



A hulladékká vált berendezést elkülönítetten gyűjtse, ne dobja a háztartási hulladékba, mert az a környezetre vagy az emberi egészségre veszélyes összetevőket is tartalmazhat! A használt vagy hulladékká vált berendezés térítésmentesen átadható a forgalmazás helyén, illetve valamennyi forgalmazónál, amely a berendezéssel jelleghében és funkciójában azonos berendezést értékesít. Elhelyezheti elektronikai hulladék átvételére szakosodott hulladékgyűjtő helyen is.

Ezzel Ön védi a környezetet, embertársai és a saját egészségét. Kérdés esetén keresse a helyi hulladékkezelő szervezetet. A vonatkozó jogszabályban előírt, a gyártóra vonatkozó feladatokat vállaljuk, az azokkal kapcsolatban felmerülő költségeket viseljük. Tájékoztassa a hulladékkezelésről: www.somogyi.hu

AZ ELEMEK, AKKUK ÁRTALMATLANÍTÁSA

Az elemeket / akkukat nem szabad a normál háztartási hulladékkal együtt kezelni. A felhasználó törvényi kötelezettsége, hogy a használt, lemerült elemeket / akkukat lakóhelye gyűjtőhelyén, vagy a kereskedelemben leadja. Így biztosítható, hogy az elemek / akkuk környezetkímélő módon legyenek ártalmatlanítva.

retro kazetový rádioprijímač

Pred použitím výrobku si pozorne prečítajte tento návod na použitie a starostlivo si ho uschovajte. Tento návod je preklad originálneho návodu. Osoby so zníženými fyzickými, zmyslovými alebo mentálnymi schopnosťami, alebo osoby bez znalosti a skúsenosti a deti nad 8 rokov môžu tento prístroj používať iba pod dohľadom, alebo ak boli poučení o spôsobe používania prístroja a porozumeli rizikám jeho bezpečného používania. Deti sa s prístrojom nesmú hrať. Čistenie a používateľskú údržbu prístroja deti môžu vykonať výlučne pod dozorom. Po vybalení prístroja sa presvedčte, či neboli poškodený počas prepravy. Sáčky a iné nebezpečné časti obalového materiálu uchovajte mimo dosah detí!

- 11 pásmový svetový AM-FM-SW prijímač • Dvojitý otočný gombík na jemné ladenie • Funkcia kazetového nahrávania a auto-stop • Integrovaný mikrofón • MP3/WMA prehrávanie z USB/SD • Digitalizácia starých analogových nahrávok • Nahrávanie na kazetu alebo na USB/SD nosič z všetkých dostupných zdrojov signálu
- V obidvoch prípadoch môžete nahrávať aj zvuk z mikrofónu alebo rádia • Digitalizácia starých magnetofónových kaziet do formátu MP3 na USB alebo SD nosič • Prípojacia zásuvka na slúchadlá: Ø3,5 mm • Napájanie: sieťový kábel je prislúšenstvom, 4 x D/LR20 (1,5 V) batéria (nie je prislúšenstvom), externý 6 V== adaptér (nie je prislúšenstvom)

UVEDENIE DO PREVÁDZKY, NAPÁJANIE

Prístroj má tri rôzne možnosti napájania. Priložený prípojovací kábel pripojte do zásuvky na zadnej strane, potom do elektrickej siete. Okrem toho rádiový prijímač môže byť napájaný z batérií 4 x D (LR20 / 1,5 V), alebo zo 6 V== akumulátora, adaptéra alebo solárneho panela, pripojeného do zásuvky na zadnej strane prístroja (16) – ktoré nie sú súčasťou dodávky. (opcia: MW 3K10)

• Batérie 4 x D vložte do puzdra na batérie podľa vyznačenej polarít. Ak prístroj používate z batérií alebo akumulátora, tieto sa nenabijú ani z napájacieho kábla, ani z externého 6 voltového napájania.

- Keď prístroj nepoužívate, vyťahnite ho z elektrickej siete! Odstráňte batérie, keď prístroj chcete pripojiť do elektrickej siete!
- Znížená hlasitosť alebo skreslený zvuk znamená vybitie batérií. Batérie okamžite vyberte!
- Nepoužívajte naraz rôzne typy batérií a/alebo rôzne nabitie batérií! Vymenu batérií môže vykonať iba dospelá osoba!
- Keď z batérií vyteká tekutina, použite ochranné rukavice a puzdro na batérie očistite suchou utierkou! Batérie je zakázané otvárať, hádzať do ohňa alebo skratovať! Nenabíjateľné batérie je zakázané nabíjať! Nebezpečenstvo výbuchu! Nepoužívajte akumulátory namiesto batérií, lebo ich napätie a účinnosť je výrazne nižšia!

VÝBER FUNKCII

Prístroj je vypnutý v tom prípade, keď spínač na výber funkcií (12) je v pozícii TAPE a neprevádzkujete kazetový magnetofón. Tri dostupné režimy:

RADIO: vyhľadávanie rozhlasových staníc na 11 pásmach

USB/SD: SD pamäťovú kartu alebo USB nosič môžete prehrávať alebo nahrávať

TAPE: prehrávanie kazety alebo nahrávanie na kazetu

POUŽÍVANIE RÁDIA

Spínač (12) nastavte do pozície **RADIO** a vyberte želané pásmo pomocou spínača (13). V prípade FM a SW pásma anténu opatrne vyťahnite a nastavte jej polohu na najlepší príjem. Dvojitým otočným gombíkom **TUNING** (4) naladíte požadovanú rozhlasovú stanicu. Pomocou vnútornej časti gombíka môžete vykonať jemné doladenie.

- Kvalita prijmu je značne závislá od miesta prijmu a príjmových podmienok.
- Anténu manipulujte opatrne, aby sa nezlomila!
- Pre príjem v pásme AM sa používa vstavaná anténa. V tom prípade teleskopickú anténu nevyťahujte, otočte rádio do polohy najlepšieho prijmu.
- Elektrické zariadenia v blízkosti prijímača môžu rušiť príjem.

PREHRÁVANIE MP3/WMA SÚBOROV (z pamäťovej karty SD alebo USB úložiska)

Vložte pamäťové médium do príslušného slotu. Prehrávanie sa spustí automaticky. Dostupné funkcie: ▶ II prehrávanie, pauza (5) / ◀▶▶ krokovanie skladieb (7) (8) / REC spustenie nahrávania a prehrávanie nahrávky (6).

Nahrávku môžete spraviť zo všetkých dostupných zdrojov signálu. Vyberte napríklad rozhlasovú stanicu a stlačte tlačidlo **REC** (6). Červená LED začne rýchlo blikať a nahrávanie sa okamžite začne na vložený USB alebo SD nosič. Na nahrávanie z mikrofónu treba spustiť nahrávanie z režimu **USB/SD**. Na ďalšie stlačenie tlačidla **REC** (6) sa nahrávanie zastaví a spustí sa prehrávanie nahrávky. Červená LED pritom pomaly blika.

- Na nosiči sa vytvoria súbory „rec“ s poradovým číslom, kde sa ukladajú MP3 nahrávky (≈128 kB/s).
- Skoršie nahrávky na nosiči sa môžu vymazať, preto sa odporúča spraviť bezpečnostnú kópiu na počítači z dát.
- Pamäťovú kartu neodpojte počas prehrávania, lebo v opačnom prípade sa dáta môžu poškodiť!
- Doporučený systém súborov karty: FAT32. Nepoužívajte pamäťové jednotky naformátované na NTFS systém!
- Po vložení pamäte sa prehrávanie začne prvou skladbou. Ak ste ju už počuli, a medzi tým ste pamäť neodstránil z prístroja, prehrávanie pokračuje od naposledy vybratou skladbou, aj v prípade, ak prístroj bol medzitým vypnutý alebo karta odstránená.
- Individuálne vlastnosti pamäťových nosičov môžu zapríčiniť nezvyčajnú činnosť zariadenia, ktorá neukazuje na chyby prístroja!

POUŽÍVANIE KAZETOVÉHO MAGNETOFÓNU

Magnetofón môžete ovládať klasicky pomocou tlačidiel pod priehradkou na kazetu. Tlačidlá stlačte opatrne ale rozhodne. Kazetu umiestnite tak, aby jej otvor bol dolu a plný kotúč na ľavej strane. Po prehraní aktuálnej strany sa vypne. Otočte kazetu a spustíte opäť prehrávanie.

Na nahrávanie vložte jednu prázdnu kazetu a stlačte naraz tlačidlo nahrávania a prehrávania (dva krajné tlačidlá na ľavej strane). Nestlačte iné tlačidlo okrem týchto! Keď chcete použiť tlačidlá na rýchle prevíjanie, najprv zastavte prehrávanie alebo nahrávanie pomocou tlačidla **STOP**. Keď sa prevíjanie dostane na koniec kazety, stlačte ihneď tlačidlo **STOP**. Pred zmenou režimu vždy vystúpte z predchádzajúcej funkcie pomocou tlačidla **STOP**! Nahrávku môžete spraviť vždy zo zdroja, ktorý práve počúvate. Integrovaný mikrofón je umiestnený vľavo od tlačidla **VOLUME**.

- Keď chcete spraviť nahrávku z tohto mikrofónu, tak sa prikloníte bližšie a spustíte nahrávanie v režime **TAPE**.
- V prvom rade odporúčame použiť kazetu C-60 (C-90) TYPE-I.
- Keď nie je vložená kazeta, alebo keď je vyložená plocha na ochranu proti zápisu, nie je možné stlačiť tlačidlo na nahrávanie, netlačte silno!
- Funkcia **AUTO-STOP** funguje v režime prehrávania a nahrávania.
- Dbajte na to, aby počas obsluhy nevznikla na páске slučka, lebo magnetofónová páska sa môže pretrhnúť!
- Počas prehrávania nahrávky, ktorá bola nahrávaná iným prístrojom – v prípade iného nastavenia hlavice tohto prístroja – môže nastat strata vysokých tónov z dôvodu azimut odchýlky. Toto nie je chyba prístroja.
- Kazetu neskladujte v blízkosti elektronických prístrojov alebo magnetov!

MULTI NAHRÁVANIE

Môžete spraviť multi nahrávku na kazetu alebo USB/SD nosič. V obidvoch prípadoch môžete nahráť zvuk z mikrofónu alebo rádia. Digitalizácia starých magnetofónových kaziet do formátu MP3 na USB alebo SD nosič. Tieto súbory môžete neskôr prekopírovať do počítača alebo telefónu.

- Kvalita nahrávky môže závisieť od aplikácie, daného zdroja signálu a technológie. Neodporúča sa kopírovať z USB/SD nosiča na kazetu pre nízku kvalitu zvuku.

VÝSTUP PRE SLÚCHADLÁ

Slúchadlá s 3,5 mm vidlicou môžete pripojiť do zásuvky **PHONES** na zadnej strane prístroja. Reproduktor sa vypne. Keďže tento prístroj je mono, z obidvoch reproduktorov stereo slúchadla budete počuť zvuk v mono.

ČISTENIE

Pred čistením odpojte prístroj od elektrickej siete vytiahnutím pripojovacej vidlice! Plastový kryt prístroja očistite suchou, mäkkou utierkou. Nepoužívajte agresívne čistiace prostriedky! Dbajte na to, aby sa do vnútra prístroja a na pripojky nedostala voda!

V prípade pravidelného používania magnetofónu mesačne raz musí odborník v beznapäťovom stave očistiť hriadeľ, valčeky, hlavice, ktoré sú v kontakte s magnetofónovou páskou. Na tento úkon je potrebná špeciálna čistiaca tekutina.

RIEŠENIE PROBLÉMOV

Pri zistení poruchy treba prístroj odpojiť od elektrickej siete! Neskôr ho skúste ešte raz zapnúť. Ak problém aj naďalej potrvá, prečítajte si dole uvedený popis porúch. Tento návod môže pomôcť pri odstránení poruchy, ak spotrebiteľ je zapojený podľa predpisov. V prípade potreby sa obráťte na odborníka!

- Prístroj nefunguje, reproduktor nevydáva zvuk

- Nie je vybraný správny zdroj signálu alebo je stíšený.
 - Skontrolujte pozíciu otočného gombíka VOLUME a spínača RADIO/USB-SD/TAPE.
- Sieťový kábel nie je správne pripojený.
 - Skontrolujte korektné pripojenie kábla k zariadeniu a do nástenej sieťovej zásuvky.
- Prehrávanie kazety sa skončilo a magnetofón sa vypne.
 - Otočte kazetu tak, aby plný kotúč bol na ľavej strane.

- Nefunguje prehrávanie z USB/SD nosiča

- Nesprávne pripojenie MP3 pamätového média.
 - Skontrolujte obsah a funkčnosť pamätového média na počítači.
- Skontrolujte napájanie.

UPOZORNENIA

- *Prosíme, pred uvedením do prevádzky prístroja si pozorne prečítajte tento návod na používanie a uschovajte ho na dostupnom mieste pre neskoršie použitie!*
- *Po ukončení používania prístroj vypnite a odpojte od elektrickej siete vytiahnutím napájacieho kábla zo zásuvky!*
- *Prístroj nezakrývajte, umožnite jeho voľné vetranie! Zakryvanie prístroja môže spôsobiť jeho prehriatie, nebezpečenstvo požiaru alebo úrazu elektrickým prúdom!*
- *Komprimované súbory, kompresné programy a rôzna kvalita SD/USB pamätových médií môžu spôsobiť chybnú funkciu, ktorá nie je nedostatkom tohto prístroja.*
- *Nie je v každom prípade zaručené prehrávanie ani podporovaných súborov, pretože môžu byť ovplyvnené od výrobcu nezávislými softvérovými a hardvérovými okolnosťami. Prehrávanie DRM súborov s ochranou autorského práva nie sú zaručené!*
- *Môže byť rozdiel medzi hlasitosťou a kvalitou zvuku jednotlivých audio súborov z dôvodu ich rozdielnych parametrov.*
- *Na pamätovú kartu neukladajte iné neprehrávateľné súbory, pretože tie môžu prehrávanie spomaliť alebo obmedziť.*
- *Výrobca nezodpovedá za stratu alebo poškodenie dát ani v prípade, ak k poškodeniu alebo strate dát došlo pri používaní tohto výrobku. Odporúča sa vyhotovenie záložnej kópie dát, skladieb.*
- *V prípade zistenia akejkoľvek poruchy, prístroj okamžite vypnite a obráťte sa na odborníka! Mnohé poruchy (žiadny zvuk, neprijemný zápach, cudzí predmet v prístroji, atď.) sa dajú ľahko zistiť.*
- *Nepripojte žiadne káble počas prevádzky prístroja!*
- *Z dôvodu prítomnosti sieťového napätia vždy dodržiavajte predpisy pre ochranu pred úrazom elektrickým prúdom! Je zakázané sa dotýkať prístroja alebo jeho napájacieho kábla mokrou rukou! V prípade porušenia napájacieho kábla, prístroj okamžite odpojte od elektrickej siete!*
- *Prístroj umiestnite tak, aby jeho napájací kábel bol ľahko prístupný a odpojitelný od elektrickej siete! Napájací kábel umiestnite tak, aby sa náhodou nevytiahol, alebo aby sa v ňom nikto nezakopol! Napájací kábel neukladajte pod koberec, rohožku, atď.!*
- *Reproduktory obsahujú permanentný magnet, preto neukladajte do ich blízkosti predmety citlivé na magnetické pole (napr. banková karta, kazeta do magnetofónu, kompas...).*
- *Pripojte len do normalizovanej uzemnenej zásuvky s napätím 230 V~ / 50 Hz!*
- *Odsťraňte batérie, keď prístroj chcete pripojiť do elektrickej siete!*
- *Dbajte na to, aby sa prístroj nestýkal so striekajúcou vodou a nepoložte naň predmet s vodou, napr. pohár! Na prístroj nepoložte otvorený oheň, napr. horiacu sviečku!*
- *Prístroj nerozoberajte, neprerábajte, lebo môžete spôsobiť požiar, úraz alebo úder elektrickým prúdom!*
- *Chráňte pred prachom, parou, tekutinou, vlhkosťou, mrazom, nárazom, pred priamym slnečným a tepelným žiarením! Len na vnútorné použitie!*
- *Záruka sa nevzťahuje na poškodenia výrobku spôsobené neodborným uvedením do prevádzky a nesprávnou obsluhou.*
- *Somogyi Elektronik Kft. potvrdzuje, že rádiový prístroj spĺňa základné ustanovenia smernice 2014/53/EU. Vyhľadanie o zhode nájdete na stránke: www.somogyi.sk*
- *Výrobca si vyhradzuje právo zmeniť technické parametre a design výrobku kedykoľvek bez predchádzajúceho upozornenia.*
- *Za prípadné chyby v tlači nezodpovedáme a ospravedlňujeme sa za ne.*



Nebezpečenstvo úrazu prúdom! Rozoberať, prerábať prístroj alebo jeho súčasť je prísne zakázané! V prípade akéhokoľvek poškodenia prístroja alebo jeho súčasti okamžite ho odpojte od elektrickej siete a obráťte sa na odborný servis!



Ak sa poškodí pripojovací kábel, nahraďte ho výlučne káblom, ktorý dodáva výrobca, alebo zaobstarajte kábel z jeho výhradného servisu!



Počúvanie zariadenia pri vysokej hlasitosti počas dlhšiu neprečúvanú dobu môže viesť k trvalému poškodeniu sluchu!



Výrobok nevyhadzujte do bežného domového odpadu, separujte oddelene, lebo môže obsahovať súčiastky nebezpečné na životné prostredie alebo aj na ľudské zdravie! Za účelom správnej likvidácie výrobku odovzdajte ho na mieste predaja, kde bude prijatý zdarma, respektíve u predajcu, ktorý predáva identický výrobok vzhľadom na jeho ráz a funkciu. Výrobok môžete odovzdať aj miestnej organizácii zaoberajúcej sa likvidáciou elektroodpadu. Tým chránite životné prostredie, ľudské a teda aj vlastné zdravie. Prípadné otázky Vám zodpovie Váš predajca alebo miestna organizácia zaoberajúca sa likvidáciou elektroodpadu.

ZNEHODNOCOVANIE BATÉRIÍ A AKUMULÁTOROV

Batérie / akumulátory nesmieme vyhodniť do komunálneho odpadu. Užívateľ je povinný odovzdať použité batérie / akumulátory do zberu pre elektrický odpad v mieste bydliska alebo v obchodoch. Touto činnosťou chránite životné prostredie, zdravie ľudí okolo Vás a Vaše zdravie.

radio retro cu caset

Înainte de punerea în funcțiune vă rugăm citiți cu atenție instrucțiunile de utilizare de mai jos și păstrați-le într-un loc accesibil. Descrierea originală a fost redactată în limba maghiară. Acest aparat nu este destinat utilizării de către persoane cu capacități fizice, senzoriale sau mentale diminuate, ori de către persoane care nu au experiență sau cunoștințe suficiente (inclusiv copii); copiii peste 8 ani pot utiliza aparatul în cazul în care sunt supravegheați de către o persoană care răspunde de siguranța lor ori sunt informați cu privire la funcționarea aparatului în condiții de siguranță și au înțeles ce pericole pot rezulta din utilizarea necorespunzătoare. În cazul copiilor supravegherea este recomandabilă pentru a evita situațiile în care copiii se joacă cu aparatul. Curățarea sau utilizarea produsului de către copii este posibilă numai cu supravegherea unui adult. După scoaterea ambalajului convingeți-vă că aparatul nu s-a deteriorat în urma transportului. Nu lăsați ambalajul la îndemâna copiilor dacă acesta conține puncte sau alte elemente potențial periculoase.

• radio AM-FM-SW cu 11 benzi • buton rotativ dublu pentru reglare fină • înregistrare pe casetă și funcție auto-stop • microfon încorporat • redare MP3/WMA de pe surse USB/SD • digitalizarea înregistrărilor analogice vechi • înregistrare de pe orice sursă disponibilă pe casetă sau pe echipament USB/SD • în ambele cazuri puteți salva sonorul microfonului sau al radioului • vă puteți arhiva înregistrările vechi în format MP3 pe echipamente USB sau SD • mufă de conectare căști: $\varnothing 3.5$ mm • alimentare: cablu de rețea inclus, 4 x baterii DLR20 (1,5 V) (nu sunt incluse), adaptor exterior 6 V~ (nu este inclus)

PUNEREA ÎN FUNCȚIUNE, ALIMENTAREA

Aparatul dispune de trei moduri de alimentare diferite. Conectați cablul de rețea anexat de soclul aflat pe partea posterioară a aparatului, apoi în priză. În afară de acesta puteți să utilizați aparatul cu 4 baterii D (LR20/1.5 V) ori cu baterie solară – 6 V~ ce se achiziționează separat – și se conectează în mufa (16.) aflată pe partea posterioară a aparatului (opțiune: MW 3K10).

- Introduceți cele 4 baterii D în suportul de baterii, conform polarității indicate. În cazul în care utilizați aparatul cu baterii sau acumulatori, aceștia nu se încarcă nici cu utilizarea suplimentară a cablului de rețea, nici cu cea a bateriilor solare de 6 Volti.
- Dacă nu utilizați aparatul, scoateți cablul de alimentare din priza de rețea! Indepărtați bateriile dacă utilizați aparatul conectat la rețea!
- Volumul scăzut sau sunetul distorsionat semnaleză descărcarea bateriilor. Indepărtați-le imediat!
- Nu utilizați baterii de la producători și/sau cu o stare de încărcare diferită! Schimbarea bateriilor poate fi efectuată doar de către adulți!
- În cazul în care acidul din baterii s-a scurs, utilizând mânuși de protecție ștergeți cu o lavetă uscată suportul acestora! Este interzisă desfacerea, aruncarea în foc sau scurtcircuitarea bateriilor! Este interzisă încărcarea bateriilor care nu se pot încălca! Pericol de explozie! Nu utilizați acumulatori în locul bateriilor, deoarece tensiunea și eficiența acestora este considerabil mai scăzută!

SELECȚIA FUNCȚIILOR

Aparatul este oprit dacă comutatorul de funcții (12.) se află în poziția **TAPE** și casetofonul nu funcționează. Cele trei moduri diferite de funcționare:

RADIO: posibilitate de căutare posturi radio pe 11 benzi

USB/SD: posibilitate de conectare cartela SD sau echipament USB pentru redare sau înregistrare

TAPE: posibilitatea de redare sau înregistrare casete

UTILIZAREA RADIOULUI

Reglați comutatorul (12.) în poziția **RADIO** și alegeți banda de frecvențe cu ajutorul comutatorului (13.). În cazul benzilor FM și SW extrageți cu grijă antena și reglați-j pentru cea mai bună recepție. Reglați postul dorit cu ajutorul butonului dublu rotativ **TUNING** (4). Cu partea interioară puteți efectua reglările fine.

- Capacitatea de recepție a aparatului depinde în mare măsură de locul de utilizare și de condițiile actuale de recepție.
- Manevrați antena cu grijă pentru a preveni ruperea acesteia!
- În cazul benzii AM funcționează o antenă încorporată. Nu extrageți antena, ci mișcați aparatul pentru o recepție mai bună.
- Echipamentele electrice din apropiere pot deranja recepția.

REDARE MP3/WMA (de pe card de memorie SD sau echipament USB)

Introduceți o sursă de memorie în soclul potrivit. Redarea va începe imediat. Funcții disponibile: ► **II** redare, pauză (5.) / **⏮** pas între piese (7.) (8.) / **REC** pomire înregistrare și reascultare (6.) Puteți efectua înregistrări de pe orice dintre sursele disponibile. Selectați de exemplu un post radio, apoi apăsați butonul **REC** (6.). LED-ul roșu va clipi repede și înregistrarea va începe imediat, direct pe echipamentul USB sau SD. Pentru înregistrarea sonorului microfonului încorporat, trebuie doar să porniți înregistrarea în modul de funcționare **USB/SD**. La o nouă apăsare a butonului **REC** (6.) înregistrarea se va opri și aparatul va iniția redarea materialului înregistrat. În acest timp LED-ul roșu va clipi încet.

- Înregistrările sunt salvate în format MP3 (≈128Kb/s) conform numărului de ordine, în mapa „red”.
- Fișierele salvate anterior pe sursa de memorie se pot șterge, de aceea recomandăm efectuarea unei copii de siguranță a datelor anterioare pe calculatorul personal.
- Nu îndepărtați sursa de memorie SD sau echipamentul USB în timp ce se redă muzică de pe acestea, deoarece puteți detona datele salvate!
- Sistemul de fișiere recomandat: FAT32. Nu utilizați unități de memorie formate prin NTFS!
- La introducerea sursei de memorie, redarea va începe de la prima piesă. În cazul în care ați mai utilizat sursa de memorie, la repornire redarea se va relua de la ultima piesă ascultată, chiar dacă între timp echipamentul a fost oprit și sursa de memorie îndepărtată.
- Datorită caracteristicilor individuale ale suporturilor de memorie, se pot întâlni erori de funcționare, care însă nu indică vreo defecțiune a echipamentului!

UTILIZAREA CASETFONULUI

Puteți comanda în modul clasic casetofonul cu ajutorul butoanelor aflate sub locașul pentru casetă. Apăsați butoanele ferm, însă cu grijă. Caseta se va introduce cu partea deschisă îndreptată în jos și cu bobina plină în partea stângă. După terminarea părții actuale, aparatul se va opri. Întoarceți caseta și reporniți aparatul.

Pentru înregistrare introduceți o casetă goală și apăsați deodată butoanele de înregistrare și redare (cele două din laterală stângă). Excepționând acest caz, este interzisă apăsarea a două butoane deodată! Dacă vreți să utilizați butoanele pentru derulare rapidă, întâi opriți redarea sau înregistrarea prin apăsarea butonului **STOP**. În cazul în care derularea rapidă ajunge la sfârșitul casetei, apăsați imediat butonul **STOP**. Înainte de schimbarea modului de funcționare, ieșiți din modul actual prin apăsarea butonului **STOP!** Puteți efectua înregistrare de pe sursa actuală de semnal. Microfonul încorporat este așezat în partea stângă a butonului **VOLUME**. Dacă doriți să înregistrați sonorul microfonului, doar porniți înregistrarea în modul de funcționare **TAPE** și apăcați-vă către microfon.

- Recomandăm utilizarea unor casete TYPE-I de tip C-60 (C-90).
- Fără casetă sau cu protecția de rupere spart nu este posibilă apăsarea butonului pentru înregistrare, nu forțați!
- Funcția de AUTO-STOP este disponibilă în modul de redare și înregistrare.
- Aveți grijă să nu se formeze buclă de bandă în interiorul casetei, deoarece se poate rupe!
- În cazul redării unor materiale înregistrate cu alte aparate – dacă setarea capului este diferită, pot exista pierderi de sunete înalte, datorită diferenței de azimut. Acest fapt nu semnaleză o defecțiune a aparatului.
- Nu depozitați caseta în apropierea magnetilor sau a echipamentelor electrice!

ÎNREGISTRARE MULTIPLĂ

Aveți multiple posibilități să efectuați înregistrări pe casetă sau pe echipament USB/SD. În ambele cazuri puteți înregistra și sonorul microfonului încorporat sau al radioului. Vă puteți arhiva digital fișierele de tip MP3 direct pe echipamentele USB sau SD. Aceste fișiere pot fi ulterior copiate pe calculator sau pe telefon.

- Calitatea sonoră diferă în funcție de aplicație, sursă de semnal sau tehnologie. Nu recomandăm copierea de pe surse USB/SD pe casetă, datorită calității sonore mai slabe.

IEȘIRE PENTRU CĂȘTI

Conectați mufa de 3,5 mm a căștilor în soclul PHONES aflat pe spatele aparatului. Difuzoarele se vor opri. Deoarece aparatul este mono, în ambele difuzoare ale căștilor stereo se va auzi sunet mono.

CURĂȚARE

Înainte de curățare scoateți aparatul de sub tensiunea de rețea prin extragerea fișei cablului de alimentare din priză! Ștergeți carcasa din plastic cu o lavetă moale, uscată. Nu utilizați soluții agresive de curățare! Nu permiteți infiltrarea lichidelor în interiorul echipamentului ori pe conectorii acestuia!

În cazul utilizării permanente a casetofonului, va fi necesară curățarea periodică a roletelor aparatului. Pentru curățare veți avea nevoie de soluție specială.

DEPANARE

În cazul în care sesizați erori în funcționarea echipamentului, opriți-l și scoateți-l de sub tensiune! Mai târziu încercați să reporniți echipamentul. Dacă eroarea persistă, vă rugăm să parcurgeți cele scrise în acest capitol. Ghidul de mai jos vă poate ajuta în delimitarea problemei apărute, în cazul în care echipamentul este conectat corect. În caz de nevoie, adresați-vă unui specialist!

- Echipamentul nu funcționează, difuzorul nu are sunet

- Nu ați ales sursa de semnal potrivită sau volumul este redus.
- Verificați poziția butonului rotativ VOLUME și al comutatorului RADIO/USB-SD/TAPE.
- Cablul de rețea nu este conectat corect.
- Verificați racordarea corectă a cablului de conectare în priză de rețea.
- Redarea casetei s-a terminat și casetofonul s-a oprit.
- Întoarceți caseta în casetofon în așa fel, încât bobina plină să fie în partea stângă.

- Redarea de pe sursele USB/SD nu funcționează

- Conectarea suportului de memorie cu fișierele MP3 nu este potrivită.
- Verificați conținutul și funcționalitatea suportului de memorie cu ajutorul unui calculator.
- Verificați prezența alimentării.

ATENȚIONĂRI

- Înainte de punerea în funcțiune, vă rugăm citiți instrucțiunile de utilizare și păstrați-le într-un loc accesibil!
- După terminarea utilizării, opriți aparatul și scoateți fișa cablului de alimentare din priză de rețea!
- Nu acoperiți aparatul și la poziționare să aveți în vedere asigurarea fluxului liber a aerului! Acoperirea poate provoca supraîncălzire, pericol de incendiu sau electrocutare!
- Datorită fișierelor compactate, al programul de compactare, respectiv din calitatea suportului de memorie SD/USB, se pot întâlni erori de funcționare, care însă nu sunt defecțiuni ale aparatului.
- Nu garantăm redarea fișierelor în orice situație, deoarece redarea este influențată de condiții de software și hardware, independente de producător. Nu garantăm redarea fișierelor de tip DRM, protejate de drepturile de autor!
- Datorită diferențelor parametrice ale unor fișiere audio, se pot întâlni diferențe în volum sau calitatea sunetului.
- Nu depozitați pe suportii externi de memorie alte tipuri de fișiere, decât cele care se pot reda, deoarece încetinesc sau împiedică funcționarea.
- Producătorul nu își asumă responsabilitatea pentru eventualele pierderi de date, chiar și dacă acesta s-a întâmplat în timpul utilizării produsului. Recomandăm efectuarea unei copii de siguranță a datelor pe calculatorul Dvs. personal.
- În cazul în care sesizați orice eroare în funcționare, opriți imediat echipamentul și adresați-vă unui specialist! Multe erori se pot observa ușor (nu este sunet, miros neplăcut, obiect străin în echipament).
- Nu efectuați conexiuni de cabluri în timpul funcționării!
- Datorită prezenței tensiunii de rețea, vă rugăm respectați standardele de protecție a vieții! Este interzisă atingerea aparatului și a cablurilor cu mâna umedă! În cazul deteriorării cablului de alimentare, scoateți imediat aparatul de sub tensiunea de rețea!
- Așezați echipamentul în așa fel, încât fișa cablului de alimentare să fie ușor accesibilă! Conduceți cablul în așa fel, încât să nu poată fi extrasă din greeșală și să nu se împiedice nimeni de cablul! Nu conduceți cablul sub covor, preș, etc!
- Difuzoarele conțin magneti, astfel nu recomandăm depozitarea obiectelor sensibile la câmp electromagnetic în apropierea aparatului (de ex. card de credit, casetă, busolă...)
- Se conectează doar la o priză standard cu împământare, de tensiunea 230V~/50Hz!
- Înainte de conectarea la rețea îndepărtați bateriile din aparat!
- Protejați aparatul de stropirea cu apă și nu așezați pe acesta obiecte umplute cu lichide, de ex. pahar cu apă! Nu așezați sursă de flacără deschisă, de ex. lumânare aprinsă pe aparat!
- Nu desfaceți și nu modificați echipamentul, deoarece puteți cauza incendiu, accident sau electrocutare!
- Protejați aparatul de praf, aburi, lichide, căldură, umezeală, îngheț, lovitură, radiații termice sau solare directe! Se poate utiliza exclusiv în interior, în mediu uscat!
- Exploatarea nepotrivită sau neconformă va atrage anularea condițiilor garanției.
- Somogyi Elektronik SRL declară că aparatul de tip radio este conform cu directivele standardului 2014/53/EU. Textul integral al declarației de conformitate este accesibilă pe adresa: www.somogyi.ro.
- Datorită îmbunătățirii continue a produselor, unele date tehnice sau de design pot fi modificate fără o înștiințare prealabilă.
- Nu ne asumăm răspunderea pentru eventualele greșeli de tipar și ne cerem scuze în acest sens.



Pericol de electrocutare! Niciodată nu demontați, modificați aparatul sau componentele lui! În cazul deteriorării oricărei părți al aparatului întrerupeți imediat alimentarea aparatului și adresați-vă unui specialist!



Dacă se constată deteriorarea cablului de alimentare schimbarea lui poate fi efectuată numai cu cablu achiziționat de la fabricant sau un prestator de servicii al acestuia!



Pentru prevenirea eventualelor deficiențe de auz nu ascultați la volum ridicat pentru o lungă perioadă de timp!



Colectați în mod separat echipamentul devenit deșeu, nu-l aruncați în gunoia menajeră, pentru că echipamentul poate conține și componente periculoase pentru mediul înconjurător sau pentru sănătatea omului! Echipamentul uzat sau devenit deșeu poate fi predat nerambursabil la locul de vânzare al acestuia sau la toți distribuitorii care au pus în circulație produse cu caracteristici și funcționalități similare. Poate fi de asemenea predat la punctele de colectare specializate în recuperarea deșeurilor electronice. Prin aceasta protejați mediul înconjurător, sănătatea Dumneavoastră și a semenilor. În cazul în care aveți întrebări, vă rugăm să luați legătura cu organizațiile locale de tratare a deșeurilor. Ne asumăm obligațiile prevederilor legale privind producătorii și suportăm cheltuielile legate de aceste obligații.

TRATAREA BATERIILOR, ACUMULATORILOR

Bateriile și acumulatorii nu pot fi tratați împreună cu deșeurile menajere. Utilizatorul are obligația legală de a preda bateriile / acumulatorii uzați sau epuizați la punctele de colectare sau în comerț. Acest lucru asigură faptul că bateriile / acumulatorii vor fi tratați în mod ecologic.

Distribuitor: **S.C. SOMOGYI ELEKTRONIC S.R.L.**

J12/2014/13.06.2006 C.U.I.: RO 18761195 Cluj-Napoca, județul Cluj, România, Str. Prof. Dr. Gheorghe Marinescu, nr. 2,

Cod poștal: 400337 • Tel.: +40 264 406 488 • Fax: +40 264 406 489 • www.somogyi.ro • Țara de origine: China



SOMOGYI ELEKTRONIC®

Pre prve upotrebe radi bezbednog i tačnog rada pažljivo pročitajte i proučite ovo uputstvo. Sačuvajte uputstvo! Originalno uputstvo je pisano na mađarskom jeziku. Ovaj uređaj nije predviđen za upotrebu licima sa smanjenom mentalnom ili psihofizičkom mogućnošću, odnosno neiskusnim licima uključujući i decu koja su mlađa od 8 godina. Ova deca moraju biti poznata sa radom i opasnostima ovog uređaja. Deca se ne smeju igrati sa ovim uređajem. Čišćenje i redovno održavanje deca smeju da vrše samo u prisustvu odrasle osobe. Nakon raspakivanja uređaja, uverite se da on nije oštećen prilikom transporta. Decu držite dalje od ambalaže ako ona sadrži opasne predmete za decu kao što su folije itd.!

• 11 talasnih dužine AM-FM-SW • Fino podešavanje sa dva dugmeta • Kasetofon sa snimanjem i automatskim zaustavljanjem • Ugrađeni mikrofon • MP3/WMA reprodukcija sa USB/SD memorije • Digitalizacija starih audioh snimaka • Snimanje svih dostupnih signala na kasetu ili USB/SD • U oba slučaja moguće snimanje zvuka sa ugrađenog mikrofona ili radija • Presnimavanje starih analognih kasetu u MP3 format na USB ili SD memoriju • Priključak za slušalice: \varnothing 3.5 mm • Napajanje: u priboru strujni kabl, 4xD/LR20 (1.5 V) baterija (nije u sklopu), adapter 6 V= (nije u sklopu)

PUŠTANJE U RAD, NAPAJANJE

Uređaj je moguće napajati na tri načina. Strujni kabl uključite u uređaj i nakon toga u strujnu utičnicu. Pored toga uređaj se može napajati i preko baterija 4xD (LR20/1.5V), ili preko utičnice sa zadnje strane (16.) preko akumulatora 6 V ili preko solarne ćelije 6 V koji se posebno kupuju, takođe napajanje uređaja se može vršiti i strujnim ispravljačem. (opcija: MW 3K10)

- 4 x D baterije pazite na polaritete postavite u držač baterije. Ako koristite baterije ili akumulatore one se neće puniti ako je uređaj uključen u struju ili ako se koristi spoljni akumulator 6 V.
- Van upotrebe uređaj isključite iz struje! Izvadite baterije iz uređaja ukoliko uređaj napajate iz mrežne utičnice!
- Slabljenje jačine zvuka ili izobličjenje ukazuje na prazne baterije. Odmah ih izvadite iz uređaja!
- Istovremeno koristite samo baterije istog tipa, marke i stanja! Zamenu baterija sme da vrši samo odrasla osoba!
- Ako iz baterija slučajno izlazi kiseline, obucite zaštitne rukavice i svom krpom očistite ležište baterija! Baterije je zabranjeno rastavljati, bacati u vatru ili ih kratko spojati čak i kada su prazne! Nepravilne baterije je zabranjeno puniti! Opasnost od eksplozije! Umesto baterija ne koristite akumulatore pošto se njihov napon i karakteristike znatno razlikuju od baterija!

ODABIR FUNKCIJA

Uređaj je u isključenom položaju ako je prekidač za odabir funkcije (12.) u položaju **TAPE** i kasetofon nije uključen. Tri dostupne funkcije:

RADIO: radio uređaj sa 11 talasnih dužina

USB/SD: SD ili USB memorija za reprodukciju ili snimanje

TAPE: reprodukcija kasete ili snimanje

UPOTREBA RADIJA

Prekidač za odabir funkcije (12.) postavite u **RADIO** položaj, željenu talasnu dužinu odaberite prekidačem (13.). U slučaju slušanja FM ili SW talasnih dužina pažljivo izvucite štapnu antenu i podeseite je u optimalni položaj. Radio stanicu potražite duplim dugmetom **TUNING** (4.). Unutrašnje dugme služi za fino podešavanje.

- Prijem radio signala u mnogome zavisi od mesta upotrebe i od uslova prijema.
- Sa antenom rukujte pažljivo da je ne biste slomili!
- Za vreme upotrebe AM talasne dužine u funkciji je jedna ugrađena antena i nije potrebno koristiti štapnu antenu. Okretanjem celog uređaja pronađite optimalni položaj za najbolji prijem signala.
- Električni uređaji u blizini mogu da smetaju prijema signala.

MP3/WMA PLEJER (SA SD KARTICE ILI USB MEMORIJE)

Memoriju postavite u odgovarajuće ležište. Reprodukcija će automatski da se pokrene. Dostupne funkcije: ►►► reprodukcija, pauza (5.) | ◀▶▶ odabir pesme (7.) (8.) | **REC** pokretanje snimanja i preslušavanje (6.)

Snimak se može napraviti sa svih dostupnih izvora signala. Na primer odaberite funkciju radija i pritisnite taster za snimanje **REC** (6.). Crvena LED dioda počinje brzo da trepti i momentalno započinje snimanje na postavljenu SD ili USB memoriju. Za snimanje zvuka preko ugrađenog mikrofona pre nego što pokrenete snimanje samo treba odabrati **USB/SD** funkciju. Ponovnim pritiskom **REC** (6.) tastera snimanje se zaustavlja i snimljeni materijal će se odmah reprodukovati. Crvena LED dioda će sporo da trepti.

- Format snimljenog materijala je MP3 (≈128Kb/s) koji će da se snima po rednim brojevima u poseban folder „rec“.
- Stariji snimljeni materijali će biti obrisani, stoga po potrebi napravite kopije na svom računaru.
- U toku rada ne vadite memorije iz uređaja, to može da ošteti podatke i samu memoriju!
- Preporučeni format kartice treba da je: FAT32. Ne koristite kartice sa NTFS formatom!
- Prilikom postavljanja memorije reprodukcija uvek započinje od prve pesme. Ako ste već slušali muziku reprodukcija će da se nastavi od zadnje slušane pesme, čak i u slučaju da ste isključili uređaj i izvadili karticu.
- Nepravilan rad može da izazove i neka specifična osobina memorije koja se koristi ali to još ne ukazuje na grešku uređaja!

UPOTREBA KASETOFONA

Kasetofon se koristi na uobičajen način, tasterima ispod vratanaca kasete. Željeni taster treba pritisnuti malo jače ali pažljivo. Kasetu treba postaviti otvorom prema dole, tako da puni kotur bude sa leve strane. Nakon završetka aktuelne stranice kasete, kasetofon će se automatski isključiti. Okrenite kasetu i možete slušati drugu stranu kasete.

Za snimanje na kasetu postavite jednu praznu kasetu i istovremeno pritisnite taster za reprodukciju i taster za snimanje (dva tastera sa leve strane). Samo se u ovom slučaju smeju istovremeno pritisnuti dva tastera! Pre pre prematavanja kasete u nekom smeru prvo isključite snimanje ili reprodukciju tasterom **STOP**. Ako prematavanje stigne do kraja ili početka kasete odmah je isključite tasterom **STOP**. Pre promene režima uvek koristite taster **STOP**! Snimanje se može vršiti samo sa izvora zvuka koji se u tom trenutku reprodukuje. Ugrađeni mikrofon se nalazi sa leve strane tastera **VOLUME**. Ako želite snimati preko mikrofona, u režimu **TAPE** samo pokrenite snimanje.

- Preporučuje se upotreba kasete C-60 (C-90) TYPE-I.
- Ukoliko je izmisljena zaštita presnimavanja u kaseti, taster za snimanje se ne može pritisnuti, nemojte ga siliti!
- **AUTO-STOP** funkcija radi u režimu reprodukcije i u režimu snimanja.
- Obratite pažnju da se prilikom prematavanja ne olabavi traka i da se ne umrsi, to može da dovede do kidanja trake!
- Preslušavanje drugih kaset snimljenih drugim uređajem može da ima slabiju reprodukciju visokih tonova, to nije greška uređaja. Uzrok je različita podešenost azimuta glave kasetofona.
- Kasete nemojte držati blizu magneta i uređaja sa magnetom!

MULTI SNIMANJE

Višestruka mogućnost snimanja na USB/SD memoriju. U svim slučajevima je moguće snimiti glas sa mikrofona ili program sa radija. Moguća je digitalizacija starih audio kasetu u MP3 format na USB ili SD karticu. Snimke posle možete presnimati i arhivirati na svom računaru.

- Kvalitet snimljenog materijala zavisi od izvora signala i tehnologije. Zbog lošijeg kvaliteta rezultata ne preporučuje se snimanje sa memorije na kasetu.

IZLAZ ZA SLUŠALICE

Utičnica za slušalice 3,5mm PHONES nalazi se sa zadnje strane uređaja. Uključivanjem slušalice, zvučnik se isključuje. Pošto je uređaj mono i u slušalicama će zvuk biti u mono tehnici.

ČIŠĆENJE

Pre čišćenja isključite uređaj i izvadite mrežni napojni kabel iz zida! Spoljne površine uređaja prebršite suvom krpom. Zabranjena upotreba agresivnih hemijskih sredstava! Obratite pažnju da ništa ne ucuri u uređaj!

Ukoliko se kasetofon često koristi potrebno je mesečno održavanje delova kasetofona, čišćenje rolera, osovina i glave. Održavanje treba da radi stručno lice sa odgovarajućim hemijskim sredstvima.

OTKLANJANJE GREŠAKA

U slučaju da primetite neku grešku pri radu isključite uređaj, kasnije ga uključite i probajte da li sve radi kako treba. Ako problem i dalje postoji pratite sledeća uputstva. U slučaju da je uređaj pravilno povezan ova lista omogućava lociranje nastale greške. Prema potrebi obratite se stručnom licu!

- Uređaj ne radi, ne radi zvučnik

- Nije odabran dobar izvor signala, radio je stišan.
 - Proverite potencijometar VOLUME i prekidač za odabir izvora RADIO/USB-SD/TAPE.
- Priključni kabel nije pravilno uključen.
 - Proverite da li je priključni kabel pravilno uključen u utičnicu.
- Reprodukcijska kasete je završena i uređaj se automatski isključio.
 - Okrenite kasetu tako da puni kotur bude sa leve strane.

- Ne radi reprodukcija sa USB/SD memorije

- Nije pravilno postavljena memorija sa MP3 podacima
 - Uspomoć računara proverite podatke i stanje memorije.
- Proverite napajanje.

NAPOMENE

- Pre prve upotrebe radi bezbednog i tačnog rada pažljivo pročitajte i proučite ovo uputstvo. Sačuvajte uputstvo!
- Nakon upotrebe isključite uređaj i izvucite kabel za napajanje!
- Ne prekrivajte uređaj, prilikom postavljanja treba obezbediti dovoljnu ventilaciju! Prekrivanje može da dovede do pregrevanja, požara i strujnog udara!
- Kvalitet i rad bez grešaka u mnogome zavisi od SD/USB memorije, programima kojima su stvarani. Nepravilan rad nije obavezno greška uređaja.
- U pojedinim slučajevima nije garantovan reprodukcija ni podržanih fajlova, na reprodukciju mogu da utiču nezavisni faktori na koje proizvođač nema uticaja. Nije garantovana reprodukcija autorski zaštićenih DRM fajlova!
- Jačina zvuka audio fajlova može biti različita u zavisnosti od parametara i programa sa kojim su kreirani.
- Na memoriji nemojte držati druge fajlove sem slušanih MP3 fajlova, to može da uspori rad uređaja.
- Za izgubljene ili oštećene podatke proizvođač ne odgovara, ni u tom slučaju ako se gubitak ili oštećenje podataka desilo upotrebom ovog uređaja. Preporučuje se stvaranje sigurnosnih kopija na računaru.
- Odmah isključite uređaj ako primetite neku nepravilnost pri radu, obratite se stručnom licu. Mnoge nepravilnosti se lako uočavaju (nema zvuka, neprijatan miris, dim, strani predmet u uređaju).
- Ne radite povezivanje kablova dok je uređaj uključen!
- Zbog prisustva napona opasnog po život, držite se standardnih mera bezbednosti! Uređaj i priključni kabel nikada ne dodirujte mokrim ili vlažnim rukama! U slučaju oštećenja priključnog kabla odmah isključite uređaj!
- Priključni kabel tako postavite da ne smeta prolazu, da se ne bi zakačili za nj! Priključni kabel nemojte provlačiti ispod tepiha, otirača i sličnih predmeta!
- Zvučnici sadrže magnet, ne postavljajte ih blizu predmeta koji su osetljivi na magnetna polja (kreditne kartice, audio video kasete, kompas ...)
- Uređaj se sme uključiti samo u standardne utičnice 230V~/50Hz sa drugim razredom zaštite!
- Baterije izvadite iz uređaja pre nego što ga uključite u strujnu utičnicu!
- Uređaj štite od prskanja vode, i nemojte je postavljati u blizinu posuda sa tečnostima! Ne postavljajte ništa sa otvorenim plamenom u blizinu uređaja (sveća itd.)!
- Zabranjeno rastavljati uređaj, zabranjena prepravka uređaja, opasnost od požara i strujnog udara!
- Uređaj štite od prašine, tečnosti, toplote, vlage, smrzavanja, udara i direktnog uticaja sunca! Upotrebljivo isključivo u suvim zatvorenim prostorijama!
- Nepropisno rukovanje i nenamenska upotreba može da dovede do kvarova i gubljenja garancije.
- A Somogyi Elektronik Kft. potvrđuje da ovaj uređaj odgovara direktivi 2014/53/EU. Kompletnu deklaraciju o usaglašenosti možete naći na: www.somogyi.hu
- Iz razloga konstantnog razvoja i poboljšavanja kvaliteta promene u karakteristikama i dizajnu mogu se desiti i bez najave.
- Za eventualne štamparske greške ne odgovaramo i unapred se izvinjavamo.



Opasnost od strujnog udara! Zabranjeno rastavljati uređaj i njegove delove prepravljati! U slučaju bilo kojeg kvara ili oštećenja, odmah isključite uređaj i obratite se stručnom licu!



Ukoliko se ošteti priključni kabel, oštećeni priključni kabel se može zameniti samo potpuno identičnim, nabavljenog od uvoznika ili njenog predstavnika!



Radi sprečavanja oštećenja sluha na slušajte duže vreme preglasnu muziku!



Uređaje kojima je istekao radni vek sakupljajte posebno, ne mešajte ih sa komunalnim otpadom, to oštećuje životnu sredinu i može da naruši zdravlje ljudi i životinja! Ovakvi se uređaji mogu predati na reciklažu u prodavnicama gde ste ih kupili ili prodavnicama koje prodaju slične proizvode. Elektronski otpad se može predati i određenim reciklažnim centrima. Ovim štite okolinu, svoje zdravlje i zdravlje svojih sunarodnika. U slučaju nedoumica kontaktirajte vaše lokalne reciklažne centre. Prema važećim propisima prihvatamo i nosimo svu odgovornost.

ODLAGANJE AKUMULATORA I BATERIJA

Istrošeni akumulatori i baterije ne smeju se tretirati sa ostalim otpadom iz domaćinstva. Korisnik treba da se stara o pravilnom bezbednom odlaganju istrošenih baterija i akumulatora. Ovakvo se može štiti okolina, obezbediti da se baterije i akumulatori budu na pravilan način reciklirani.

Pred prvo uporabo zaradi varnega in točnega delovanja pazljivo preberite in proučite to navodilo. Shranite ga za kasnejšo uporabo! Originalno navodilo je napisano v madžarskem jeziku. Ta naprava ni predvidena za uporabo osebam z zmanjšano mentalno ali psihofizično sposobnostjo, oziroma neizkušenim osebam vključujoč otroke kateri so mlajši od 8 let. Ti otroci morajo biti seznanjeni z delovanjem in nevarnostmi te naprave. Otroci se ne smejo igrati s to napravo. Čiščenje in redno vzdrževanje smejo otroci vršiti samo v prisotnosti odrasle osebe. Ko napravo odstranite iz embalaže se prepričajte da se ni poškodovala med transportom. Otroci se naj ne približujejo embalaži, če ta vsebuje nevarne predmete za otroke kot so folije itd.!

• 11 valovnih dolžin AM-FM-SW • Natančna nastavitvev z dvema gumboma • Kasetofon s snemanjem in avtomatskim zaustavljanjem • Vgrajeni mikrofon • MP3/WMA predvajanje z USB/SD spominske kartice • Digitalizacija starih analognih posnetkov • Snemanje vseh dostopnih signalov na kaseto ali USB/SD • V obeh primerih je mogoče snemanje zvoka z vgrajenega mikrofona ali radija • Presnemavanje starih avdio kaset v MP3 format na USB ali SD spominsko kartico • Priključek za slušalke: Ø3.5mm • Napajanje: v priboru električni kabel, 4xD/LR20 (1,5V) baterij (niso priložene), adapter 6 V-- (ni priložen)

ZAGON ZA DELOVANJE, NAPAJANJE

Napravo je mogoče napajati na tri načine. Električni kabel vključite v napravo in nato v električno vtičnico. Prav tako se lahko naprava napaja tudi preko baterij 4xD (LR20/1,5 V), ali preko vtičnice na zadnji strani (16), preko akumulatorja 6 V ali preko solarne celice 6V katera se posebej kupi, prav tako se napajanje naprave lahko vrši tudi z električnim pretvornikom. (možnost: MW 3K10)

Delovanje z enim polnjenjem akumulatorja je lahko 8-12 ur, kar je v mnogem odvisno od nastavitvev, jakosti zvoka itd.

- 4 x D baterije vstavite v držalo baterij po tam označeni polariteti. Če napravo uporabljate z baterijami ali z akumulatorji, se ne bodo polnili če je naprava vključena v električno omrežje ali če se uporablja zunanji akumulator 6 V.
- Če napravo ne uporabljate jo izkjučite iz električnega omrežja! Odstranite baterije iz naprave vkolikor napravo napajate iz mrežne vtičnice!
- Zmanjšani ali popačeni zvok nakazuje na prazne baterije. Prazne baterije takoj odstranite iz naprave!
- Hkrati uporabljajte samo baterije istega tipa in stanja! Zamenjavati baterije sme narediti samo odrasla oseba!
- Če iz baterij slučajno izteče kislina, navlecite zaščitne rokavice in s krpo očistite ležišče baterij! Baterije je prepovedano razstavljati, jih metati v ogenj ali jih kratko spajati! Neuporabljive baterije je prepovedano polniti! Nevarnost pred eksplozijo! Namesto baterij ne uporabljajte akumulatorje, kajli akumulatorji imajo znatno manjšo napetost in njihova karakteristika se znatno razlikuje od baterij!

IZBIRA FUNKCIJ

Naprava je v izklopu položaju če je stikalo za izbiro funkcije (12), v položaju TAPE in kasetofon ni vključen. Tri dostopne funkcije:

RADIO: radio naprava z 11 valovnih dolžin

USB/SD: SD ali USB spominska kartica za predvajanje ali snemanje

TAPE: predvajanje kasete ali snemanje

UPORABA RADIJA

Stikalo za izbiro funkcije (12) postavite v **RADIO** položaj, željeno valovno dolžino izberite s stikalom (13). V primeru poslušanja FM ali SW valovnih dolžin pazljivo izvlecite palično anteno in jo nastavite v optimalni položaj. Radio postajo poiščite z dvojnimi gumbom **TUNING** (4). Notranji gumb služi za natančno nastavitvev.

- Sprejem radio signala je v mnogo čem odvisen od mesta uporabe in od pogojev sprejema.
- Anteno pazljivo nastavljajte, da je ne bi zlomili!
- V primeru poslušanja AM valovne dolžine, je aktivna ena notranja antena, ne uporabljajte palično anteno, ker le ta v tem primeru ne reagira. Ne izvlecite anteno, ampak radio sprejemnik obračajte v najbolj idealen položaj.
- Električne naprave v bližini lahko motijo sprejem signala.

MP3/WMA PREDVAJALNIK (Z SD KARTICE ALI USB SPOMINSKE KARTICE)

Spominsko kartico vstavite v ustrezno ležišče. Predvajanje se bo avtomatsko pokrenilo. Dostopne funkcije: ▶ II predvajanje, pavza (5) / ◀▶ izbiranje pesmi (7) (8) / REC zagon snemanja in ponovno poslušanje (6.)

Posnetek lahko naredimo iz vseh dostopnih virov signala. Na primer izberite funkcijo radija in pritisnite tipko za snemanje **REC** (6). Rdeča LED dioda začne hitro utripati in v trenutku začne snemati na vstavljeno SD ali USB spominsko kartico. Za snemanje zvoka preko vgrajenega mikrofona preden pokrenete snemanje je treba samo izbrati **USB/SD** funkcijo. S ponovnim pritiskom **REC** (6) tipke se snemanje zaustavlja in posneti material se bo takoj predvajal. Rdeča LED dioda bo počasi utripala.

- Format posnetega materiala je MP3 (≈128kb/s), kateri se bo snemal po zaporednih številkah v posobešno mapo „ec“.
- Starejši posneti materialji se bodo izbrisali, zato po potrebi naredite kopije na svojem računalniku.
- Med predvajanjem ne jemljite kartico iz ležišča, to lahko poškoduje kartico ali podatke na kartici!
- Priporočeni format kartice mora biti: FAT32. Ne uporabljajte kartice z NTFS formatom!
- Po vstavitvi kartice se predvajanje vedno začne od prve pesmi. Če se je že poslušala glasba s kartice, se bo predvajanje nadaljevalo od zadnje poslušane pesmi, tudi takrat ko je bila naprava izklopljena in odstranjena kartica.
- Vzroki napake pri predvajanju so lahko specifični parametri kartice katera se uporablja, kar ne pomeni napake naprave!

UPORABA KASETOFONA

Kasetofon se uporablja na običajen način, s tipkami pod vratci kasete. Željeno tipko je treba pritisniti malo močneje a vendar pazljivo. Kaseto je treba vstaviti z odprtno obrnjeno navzdol, tako da je polni kolut na levi strani. Po zaključku aktualne strani kasete, se bo kasetofon avtomatsko izkjučil. Obrnite kaseto in lahko poslušate drugo stran kasete.

Za snemanje na kaseto vstavite eno prazno kaseto in hkrati pritisnite tipko za predvajanje in tipko za snemanje (dve tipki na levi strani). Samo se v tem primeru smeta hkrati pritisniti dve tipki! Pred previjanjem kasete v katero smer najprej izkjučite snemanje ali predvajanje s tipko **STOP**. Če previjanje pride do konca ali začetka kasete, jo takoj izkjučite s tipko **STOP**. Pred spremembo režima vedno uporabljajte tipko **STOP**! Snemanje se lahko vrši samo z izvora zvoka kateri se v tem trenutku predvaja. Vgrajeni mikrofon se nahaja na levi strani tipke **VOLUME**. Če želite snemati preko mikrofona, v režimu **TAPE** samo pokrenite snemanje.

- Priporoča se uporaba kaset C-60 (C-90) TYPE-I.
- Vkolikor je zlomljena zaščita presnemavanja v kaseti, se tipka za snemanje ne more pritisniti, ne pritisčajte na silo!
- AVTO-STOP funkcija deluje v režimu predvajanja in v režimu snemanja.
- Bodite pozorni da se pri previjanju ne razrahlja trak in da se ne zaplete, to lahko privede da se trak potopla!
- Poslušanje drugih kaset posnetih z drugo napravo lahko ima slabše predvajanje visokih tonov, a to ni napaka naprave. Vzrok je različna nastavitvenost azimuta glave kasetofona.
- Kasete ne shranjujte v bližini magnetov in naprav z magnetom!

MULTI SNEMANJE

Večkratna možnost snemanja na USB/SD spominsko kartico. V vseh primerih je mogoče snemati glas z mikrofona ali program z radija. Mogoča je digitalizacija starih avdio kaset v MP3 format na USB ali SD spominsko kartico. Posnetke lahko kasneje presnamete in arhivirate na svojem računalniku.

- Kvaliteta posnetega materiala je odvisna od izvora signala in tehnologije. Zaradi slabše kvalitete rezultata se ne priporoča snemanje s spominske kartice na kaseto.

ZIHOD ZA SLUŠALKE

Vtičnica za slušalke 3,5mm PHONES se nahaja na zadnji strani naprave. Ko se slušalke vklopijo, se zvočnik izključi. Ker je naprava mono bo tudi v slušalkah zvok v mono tehniki.

ČIŠČENJE

Pred čiščenjem napravo izključite in odstranite mrežni napetostni kabel iz stenske vtičnice! Zunanje površine naprave prebršite s suho krpo. Prepovedana uporaba agresivnih kemijskih sredstev! Bodite pozorni da nič ne priteče v napravo!

Vkolikor se kasetofon pogosto uporablja je potrebno mesečno vzdrževanje delov kasetofona, čiščenje rollerjev, osovlin in glave. Vzdrževanje mora izvajati strokovno usposobljena oseba z ustreznimi kemijskimi sredstvi.

ODPRVLJANJE NAPAK

V primeru da opazite kakšno napako pri delovanju izključite napravo, čez nekaj časa napravo ponovno vključite in preizkusite ali vse deluje kot mora. Če problem še vedno ostaja preberite sledeča navodila. V primeru da je naprava pravilno povezana, ta seznam omogoča lociranje nastale napake. Po potrebi se obrnite na strokovno usposobljeno osebo!

- Naprava ne deluje, ne deluje zvočnik

- Ni izbran dober izvor signala, radio je utišan.
- Preverite potenciometer VOLUME in stikalo za izbiro izvora RADIO/USB-SD/TAPE.
- Priključni kabel ni pravilno vključen.
- Preverite ali je priključni kabel pravilno vključen v vtičnico.
- Predvajanje kasete je zaključeno in naprava se je avtomatsko izključila.
- Obrnite kaseto tako da je polni kolut na levi strani.

- Ne deluje predvajanje z USB/SD spominske kartice

- Ni pravilno vstavljena spominska kartica z MP3 podatki
- S pomočjo računalnika preverite podatke in stanje spominske kartice.
- Preverite napajanje.

OPOMBE

- Pred prvo uporabo zaradi varnega in točnega delovanja pazljivo preberite in proučite to navodilo. Shranite ga za kasnejšo uporabo!
- Po uporabi napravo izključite iz električnega omrežja in izvlecite kabel za napajanje!
- Ne prekrivajte napravo, pri postavljanju pustite dovolj prostora za hlajenje-ventilacijo! Prekrivanje naprave lahko privede do pregrevanja, požara in električnega udara!
- Kvaliteta in delovanje brez napak je v mnogem odvisna od SD/USB spominske kartice, programov s katerimi je ustvarjena. Nepravilno delovanje ni obvezno napaka naprave.
- Ni zagotovljeno predvajanje niti podprtih datotek, uspešno predvajanje je odvisno od zunanji faktorjev na katere pa proizvajalec naprave nima vpliva. Ni zagotovljeno predvajanje avtorsko zaščitenih DRM datotek!
- Jakost zvoka avdio datotek je lahko različna, odvisna je od parametrov in programa s katerim so kreirane.
- Na spominski kartici ne hranite druge datoteke razen poslušanih MP3 datotek, to lahko upočasní delovanje naprave.
- Za izgubljene ali poškodovane podatke proizvajalec ne odgovarja, niti v primeru če se je izguba ali poškodba podatkov zgodila z uporabo te naprave. Priporoča se ustvarjanje varnostnih kopij na računalniku.
- Takoj izključite napravo če opazite kakšno nepravilnost pri delovanju, obrnite se na strokovno usposobljeno osebo. Mnoge nepravilnosti se lahko opazijo (ni zvoka, neprijeten vonj, dim, tuji predmet v napravi).
- Ne izvajajte povezovanje kablov dokler je naprava vključena!
- Zaradi prisotnosti mrežne napetosti se pridržujte standardnih varnostnih meril! Z mokrimi ali vražnimi rokami se ne dotikajte naprave ali priključnega kabla! V primeru poškodbe priključnega kabla napravo takoj izključite iz električnega omrežja!
- Priključni kabel postavite tako, da ne moti prehoda, da se ne bi zataknil v vanj! Priključni kabel ne speljite pod tepihe, preproge in podobne predmete!
- Zvočniki vsebujejo magnetne, ne postavljajte jih v bližino predmetov, kateri so občutljivi na magnetna polja (kredilne kartice, avdio video kasete, kompas...)
- Napravo priključite samo v ozemljene električne vtičnice 230V~50Hz z drugim razredom zaščite!
- Baterije odstranite iz naprave preden jo vključite v električno vtičnico!
- Napravo zaščitite pred prskajočo vodo, ne postavljajte je v bližino posod s tekočinami! V bližino naprave ne postavljajte ničesar z odprtim plamenom (sveče itd.)!
- Prepovedano je razstavljati napravo, prepovedano prenavarjanje naprave, nevarnost pred požarom in električnim udarom!
- Napravo zaščitite pred prahom, tekočinami, toploto, vlago, zmrzovanjem, udarci in direktnim vplivom sonca! Uporabno izključno v suhih zaprtih prostorih!
- Nepredpisano rokovanje in nenamenska uporaba lahko privede do okvar naprave in izgube garancije.
- Somogyi Elektronik Kft. potrjuje da ta naprava ustreza direktivi 2014/53/EU. Kompletno deklaracijo o soglasnosti lahko najdete na: www.somogyi.hu
- Zaradi konstantnega izpopolnjevanja lastnosti in dizajna, so spremembe mogoče tudi brez predhodne najave.
- Za morebitne tiskarske napake ne odgovarjamo in se vnaprej opravičujemo.



Nevarnost pred električnim udarom! Prepovedano je razstavljati napravo in njegove dele popravljati! V slučaju kakršne koli okvare ali poškodbe, takoj izključite napravo in se obrnite na strokovno osebo!



V kolikor se poškoduje priključni kabel, poškodovani priključni kabel se lahko zamenja i samo s popolnoma identičnim , dobavljenega od uvoznika ali njegovega predstavnika!



Zaradi preprečevanja poškodbe sluha ne poslušajte dalj časa preglasno glasbo!



Napravam katerim je potekla življenjska doba zbirajte posebej, ne jih mešati z ostalimi gospodinjstvi odpadki .to onesnažuje življenjsko sredino in lahko vpliva in ogroža zdravje ljudi in živali ! Takšne naprave se lahko predajo za recikliranje v trgovinah kjer ste jih kupili ali trgovinah katere prodajajo podobne naprave . Elektronski odpadki se lahko predajo tudi v določenih reciklažnih . S tem ščitite okolje , vaše zdravje in zdravje vaših sonarodnjakov . V primeru dvoma a kontaktirajte vaše lokalne reciklažne centre . Po veljavnih predpisih se obvezujemo in nosimo vso odgovornost.

ODLAGANJE AKUMULATORJA IN BATERIJ

Iztrošeni akumulatorji in baterije se ne smejo zavržeti z ostalim odpadom iz gospodinjstva. Uporabnik mora poskrbeti za pravilno varno odlaganje iztrošenih baterij in akumulatorjev. Tako se lahko zaščiti okolje, poskrbi se da so baterije in akumulatorji na pravilen način reciklirane.

Distributer za SLO: **ELEMENTA ELEKTRONIKA d.o.o.**

Cesta zmage 13A, 2000 Maribor

Tel.: 05 917 83 22, Fax: 08 386 23 64

Mail: office@elementa-e.si • www.elementa-e.si

Država porekla: Kitajska



SOMOGYI ELEKTRONIC®

retro rádio s kazetovým p e hrá va em

Předtím, než začnete zařízení používat, si pečlivě přečtěte tento uživatelský manuál a tento si uschovejte. Původní popis byl vyhotoven v maďarském jazyce. Tento přístroj mohou osoby, které mají snížené fyzické, smyslové nebo duševní schopnosti, nebo které nemají zkušenosti a potřebné vědomosti, dále děti od 8 let, používat pouze v případě, že je zajištěn odpovídající dohled nebo když byly takové osoby poučeny o používání zařízení a pochopily možná bezpečí spojená s bezpečným používáním. Je zakázáno, aby si se zařízením hrály děti. Čištění přístroje nebo běžnou uživatelskou údržbu smí děti provádět výhradně pod dohledem. Po vybalení se ujistěte o tom, zda přístroj nebyl během přepravy poškozen. Obal se nesmí dostat do rukou dětem, jestliže obsahuje sáčky nebo jiné nebezpečné komponenty!

• Rádio pro příjem 11 vlnových pásem AM-FM-SW • Dvojitě otočné tlačítko pro jemné ladění • Pořizování zvukových záznamů na magnetofonové kazety, s funkcí auto-stop • Zabudovaný mikrofon • Přehrávání souborů ve formátu MP3/WMA z externích jednotek USB/SD • Digitalizace starších analogických záznamů • Záznam všech dostupných zdrojů signálů na kazety nebo jednotky USB/SD • V obou případech záznam zvuku ze zabudovaného mikrofonu nebo rozhlasového vysílání • Digitalizaci možností archivace starších magnetofonových kazet do formátu MP3 na jednotky typu USB nebo SD • Konektor pro zapojení sluchátek: \varnothing 3,5 mm • Napájení: síťový kabel dodávaný v příslušenství, 4 baterie typu D/LR20 (1,5 V) (nejsou součástí balení), externí 6 V--- adaptér (není dodávaný v příslušenství)

UVEDENÍ DO PROVOZU, NAPÁJENÍ

Přístroj je vybaven třemi různými možnostmi napájení. Příložený napájecí kabel zasuňte do konektoru na zadní straně přístroje a potom zapojte do elektrické sítě. Přístroj může být vedle toho napájen 4 bateriemi typu D (LR20/1,5 V) nebo solární baterií 6 V--- zapojenou do konektoru na zadní straně (16.) - je nutné samostatně zakoupit - nebo akumulátorem či adaptérem. (opce: MW 3K10)

- 4 baterie typu D vložte do schránky na baterie, v souladu se správnou polaritou. Používáte-li přístroj při napájení pomocí baterií nebo akumulátorů, tyto se nedobíjejí ani při použití síťového kabelu nebo externího napájení pomocí 6 voltů.
- Nebudete-li přístroj používat, vytáhněte ze sítě napájecí kabel! Vyměňte baterie, jestliže budete přístroj napájet z elektrické sítě!
- Snížená hlasitost nebo zkreslený zvuk jsou projevem vybitých se baterií. Baterie neprodlené vyměňte!
- Nepoužívejte současně baterie různých výrobců nebo baterie v různém stavu nabití! Výměnu baterií smí provádět výhradně dospělá osoba!
- Jestliže z baterií případně vyteklá tekutina, použijte ochranné rukavice a schránku na baterie vyčistěte suchou utěrkou! Baterie je zakázáno otvírat, vzhavovat do ohně nebo zkratovat!
- Nedobíjetelné baterie je zakázáno nabíjet! Nebezpečí exploze! Nepoužívejte místo baterií akumulátory, protože se vyznačují výrazně nižším napětím a účinkem!

VOLBA FUNKCÍ

Přístroj je vypnutý, jestliže je spínač volby funkcí (12.) nastaven do polohy TAPE a přehrávač magnetofonových kazet není v provozu. Tři různé provozní režimy:

RADIO: rozhlasové stanice můžete vyhledávat na 11 vlnových pásmech

USB/SD: k přehrávání nebo vyhotovení zvukového záznamu můžete použít paměťovou kartu SD nebo jednotku USB

TAPE: přehrávání kazet nebo vyhotovení zvukového záznamu

POUŽÍVÁNÍ RÁDIA

Spínač (12.) nastavte do pozice **RADIO**, potom spínačem (13.) zvolte požadované vlnové pásmo. V případě volby vlnového pásma FM a SW opatrně vytáhněte anténu a nastavte ji do polohy, kde bude kvalita příjmu nejlepší. Dvojitým otočným tlačítkem **TUNING** (4.) naladíte požadovanou rozhlasovou stanici. Vnitřní část tlačítka pak provedete jemné ladění.

- Schopnost příjmu signálů rádia závisí ve velké míře na místě používání přístroje a na aktuálních podmínkách příjmu signálů.
- S anténou zacházejte opatrně, aby nedošlo ke zlomení antény!
- V případě poslouchání pásma AM je funkční zabudovaná anténa. Anténu nevytahujte, přístroj natočte do pozice, kde bude kvalita příjmu nejlepší.
- Elektronická zařízení nacházející se v blízkosti mohou rušit příjem.

PŘEHŘÁVÁNÍ SOUBORŮ MP3/WMA (Z PAMĚŤOVÉ KARTY SD NEBO JEDNOTKY USB)

Do příslušného vstupu vložte datový zdroj. Přehrávání bude spuštěno automaticky. Dostupné funkce: ▶ II přehrávání, pauza (5.) / ◀▶▶ vyhledávání skladeb (7.) (8.) / REC zahájení nahrávání záznamu a přehrávání záznamu (6.)

Zvukový záznam je možné vyhotovovat ze všech dostupných zdrojů signálů. Zvolte například požadovanou rozhlasovou stanici a potom stiskněte tlačítko **REC** (6.). Nyní začne rychle blikat červená LED dioda a okamžitě bude spuštěno nahrávání na vloženou jednotku USB nebo SD. Pro zvukový záznam prostřednictvím zabudovaného mikrofonu jen aktivujete funkci záznamu v režimu **USB/SD**. Opětovným stisknutím tlačítka **REC** (6.) se proces nahrávání zastaví a zvukový záznam bude přehráván. Přitom bude pomalu blikat červená LED dioda.

- Zvukový záznam bude uložen ve formátu MP3 (=128kBs/s) do složek s pořadovými čísly a s označením „rec“.
- Dřívější záznamy na datových jednotkách mohou být vymazány, a proto si vždy vyhotovte bezpečnostní kopie na svůj počítač.
- Během přehrávání navyměňte paměťovou kartu nebo zdroj USB, protože byste tak mohli poškodit uložená data!
- Doporučený formát souborů: FAT32. Nepoužívejte paměťové jednotky ve formátu NTFS!
- Po vložení paměťové jednotky bude přehrávání spuštěno od první skladby. Jestliže jste paměťovou jednotku používali již dříve, bude přehrávání pokračovat od naposledy přehrávané skladby i v případě, kdy bylo zařízení mezitím vypnuto a externí datový zdroj byl ze zařízení vyjmutý.
- Specifické vlastnosti záložního zdroje mohou způsobit nesprávné fungování, tento jev neznamená závadu přístroje!

POUŽÍVÁNÍ KAZETOVÉHO MAGNETOFONU

Magnetofon můžete obsluhovat klasickým způsobem, tlačítky pod schránkou na magnetofonové kazety. Kazety vkládejte energicky, ale zároveň opatrně. Kazety se vkládají tak, aby otvor kazety byl nasměrován dolů a plný koteuč byl na levé straně. Po dokončení přehrávání aktuální strany magnetofonové pásky se přehrávač vypne. V takovém případě kazetu otočte a znovu spusťte přehrávání.

Pro pořizování zvukového záznamu vložte prázdnou kazetu a stiskněte současně tlačítko funkce nahrávání a přehrávání (dvě tlačítka na levé straně). V jiných případech je stisknutí obou tlačítek současně zakázáno! Chcete-li použít tlačítka určená k rychlému přetáčení, nejprve zastavte přehrávání nebo nahrávání zvukového záznamu tlačítkem **STOP**. Dostane-li se magnetofonová páska při rychlém přetáčení až na konec kazety, okamžitě stiskněte tlačítko **STOP**. Před střídáním provozních režimů vždy pomocí tlačítka **STOP** ukončete předcházející funkci! Zvukový záznam můžete pořizovat vždy z toho zdroje signálů, který je právě přehráván. Zabudovaný mikrofon je umístěn vlevo od tlačítka **VOLUME**. Chcete-li vyhotovit zvukový záznam pomocí mikrofonu, aktivujte nahrávání v režimu **TAPE** a nakloňte se blízko k mikrofonu.

- Primárně doporučujeme používat kazety typu C-60 (C-90) TYPE-I.
- Bez vložené kazety nebo v případě vyložené zářezky zamezující vymazávání záznamu není možné stisknout tlačítko funkce nahrávání, nevyjíte tlač!
- Funkce **AUTO-STOP** je funkční v režimu přehrávání a nahrávání.
- Věnujte pozornost tomu, aby při používání nevznikla na magnetofonové páске smyčka, protože by to mohlo způsobit přetržení magnetofonové pásky!
- Při přehrávání zvukových nahrávek vyhotovených na jiných přístrojích – v případě odlišného nastavení hlav – může z důvodu odlišnosti azimutu dojít ke ztrátě vysokých tónů. To není nedostatek tohoto přístroje.
- Kazety nepokládejte do blízkosti elektronických zařízení nebo magnetů!

MULTI ZÁZNAMY

Zvukové nahrávky na kazety nebo na jednotky USB/SD můžete pořizovat mnohostranně. V obou případech můžete nahrávat zvukové záznamy ze zabudovaného mikrofonu nebo rozhlasového vysílání. Digitalizaci můžete archivovat starší magnetofonové kazety ve formátu MP3 nebo uložením na jednotku USB nebo SD. Později můžete tyto soubory uložit do počítače nebo mobilního telefonu.

- Kvalita zvuku se může lišit v závislosti na daném zdroji nebo na technologii. Nedoporučuje se na kazety kopírovat záznamy z jednotek USB/SD, a to z důvodu nižší kvality zvuku.

VÝSTUP PRO SLUCHÁTKA

Do konektorů PHONES umístěného na zadní straně přístroje můžete zapojit sluchátka se zástrčkou o průměru 3,5 mm. Reprodukory se vypnou. Vzhledem k tomu, že přístroj je konstruován jako mono zařízení, z obou reproduktorů sluchátek bude reprodukován mono zvuk.

ČIŠTĚNÍ

Předtím, než začnete přístroj čistit, jej odpojte z elektrické sítě vytáhnutím zástrčky ze zásuvky ve zdi! Plastový povrch přístroje očistěte suchou utěrkou. Nepoužívejte agresivní čisticí prostředky! Vnitřní části přístroje, ani zapojení se nesmí dostat do kontaktu s tekutinami!

V případě pravidelného používání magnetofonu je nutné, aby odborně vyškolená osoba jednou za měsíc ve stavu odpojení přístroje z elektrické sítě vyčistila osy, válečky a hlavy přicházející do kontaktu s magnetofonovou páskou. K tomuto úkonu je potřebná speciální čisticí tekutina.

ODSTRANĚNÍ ZÁVAD

V případě zjištění závady přístroj vypněte a odpojte z elektrické sítě! Později zkuste přístroj znovu zapnout. Jestliže závada i nadále přetrvává, postupujte podle níže uvedeného přehledu. Tyto pokyny Vám mohou pomoci identifikovat závadu, zjistíte je přístroj jinak zapojen podle předpisů. Bude-li to nutné, kontaktujte odborně vyškolenou osobu!

- Přístroj nefunguje, z reproduktorů není slyšet zvuk

- Nebyl zvolen správný zdroj signálu nebo je ztlumená hlasitost.
- Zkontrolujte pozici otočného tlačítka VOLUME a spínače RADIO/USB-SD/TAPE.
- Síťový napájecí kabel není správně zapojen.
- Zkontrolujte správné zapojení napájecího kabelu do přístroje a do zásuvky elektrické sítě.
- Přehrávání kazety bylo dokončeno a magnetofon se vypnul.
- Otočte kazetu tak, aby plný kotouč byl na levé straně.

- Nefunguje přehrávání z jednotky USB/SD

- Datový zdroj MP3 není správně zapojen
- Zkontrolujte obsah a funkčnost datového zdroje na počítači.
- Zkontrolujte, zda je přístroj napájen

BEZPEČNOSTNÍ UPOZORNĚNÍ

- Předtím, než začnete přístroj používat, si pozorně přečtěte tyto pokyny a uložte si je pro případ potřeby v budoucnu na snadno přístupné místo!
- Po ukončení používání přístroj vypněte a vytáhněte z elektrické sítě zástrčku napájecího kabelu!
- Přístroj nezakryvejte, při umístování zajistěte volné proudění vzduchu! Zakrytí přístroje může způsobit přehřátí, nebezpečí požáru nebo úraz zasažením elektrickým proudem!
- Kvalita zkomprimovaných souborů, používaných komprimačních programů a paměťových zdrojů SD/USB může způsobovat takový chybný provoz, který není závadou přístroje.
- Ani přehrávání podporovaných formátů není garantováno ve všech případech, protože může být ověřeno vlastnostmi softwaru nebo hardwaru, nezávislých na výrobci tohoto přístroje. Přehrávání souborů typu DRM chráněných autorským právem není vždy zaručeno!
- Hlasitost a kvalita zvuku různých přehrávaných audio souborů se může lišit, v důsledku odlišných parametrů těchto souborů.
- Kromě přehrávaných souborů neukládejte na externí datové jednotky soubory jiného typu, protože by to mohlo způsobovat zpomalování přehrávání nebo přehrávání zcela nemožné.
- Výrobce nenes odpovědnost za ztracená nebo poškozená data, a to ani v případě, kdy ke ztrátě těchto dat došlo během používání tohoto přístroje. Doporučujeme předem vyhotovit bezpečnostní kopii dat a záznamů uložených na používaném datovém nosiči a tuto kopii uložit na počítač.
- Přístroj okamžitě vypněte, zjistíte-li jakoukoli závadu, a v takovém případě kontaktujte odborníka! Mnohá anomálie (zařízení nevydává zvuk, cítíte nepříjemný zápach, cizí předmět v zařízení apod.) jsou snadno identifikovatelné.
- Nikdy nezapojujte kabely, je-li přístroj v provozu!
- Z důvodu přítomnosti síťového napětí vždy dodržujte standardní bezpečnostní opatření! Je zakázáno dotýkat se přístroje nebo napájecího kabelu mokřými rukama! V případě poškození síťového napájecího kabelu okamžitě zařízení odpojte z elektrické sítě!
- Přístroj umístěte na takové místo, aby byl zajištěn snadný přístup k zástrčce a aby bylo možné napájecí kabel kdykoli snadno vytáhnout ze zásuvky ve zdi! Napájecí kabel pokládejte tak, aby nebylo možné jeho náhodné vytažení ze zásuvky, respektive abyste zamezili náhodnému zakopnutí o kabel! Napájecí kabel nepokládejte pod koberec, rohožku apod.!
- Reprodukory mohou obsahovat magnety, a proto neumisťujte do jejich blízkosti předměty citlivé na magnetismus (např. platební karty, magnetofonové kazety, kompas...)
- Je dovoleno zapojovat pouze do uzemněné zásuvky elektrické sítě s napětím 230V~/50Hz!
- Předtím, než přístroj zapojíte do elektrické sítě, vyměňte baterie!
- Přístroj nesmí přijít do kontaktu se střikající vodou, na zařízení nikdy nepokládejte předměty naplněné tekutinou, např. sklenička! Na přístroj je zakázáno pokládat zdroje otevřeného ohně, jakým je například hořící svíčka!
- Přístroj nikdy nerozebírejte, neupravujte, protože byste tak mohli způsobit požár, úraz nebo zásah elektrickým proudem!
- Chraňte před prachem, ovzdušním s vysokou relativní vlhkostí, tekutinami, vysokými teplotami, vlhkem, mrazem a před nárazy, dále před působením zdrojů sálajícího tepla nebo přímým slunečním zářením! Určeno výhradně k používání v suchých interiérech!
- Neodborně uvedení do provozu nebo nesprávné používání může mít za následek ztrátu nároku na uplatnění záruky.
- Společnost „Somogyi Elektronik Kft.“ tímto potvrzuje, že rádiové zařízení splňuje požadavky směrnice csn 2014/53/EU. Kompletní text prohlášení o shodě EU je přístupný na následující webové adrese: www.somogyi.hu
- Technické údaje a design se mohou v důsledku průběžného vývoje měnit i bez předcházejícího oznámení.
- Za případné chyby v tisku neneseme odpovědnost a za tyto se předem omlouváme.



Nebezpečí úrazu elektrickým proudem! Rozebrání a přestavba přístroje nebo jeho příslušenství je zakázáno! Při poškození kterékoliv části ihned odpojte ze sítě a vyhledejte odborníka!



Jestliže dojde k poškození přípojného síťového vodiče, výměnu je dovoleno provést pouze za podmínky poskytnutí přímo výrobcem nebo servisní službou výrobcem!



Abyste předešli případnému poškození sluchu, neposlouchejte po delší dobu při zvýšené hlasitosti.



Přístroje, které již nebudete používat, shromažďujte zvlášť a tyto nevhazujte do běžného komunálního odpadu, protože mohou obsahovat látky nebezpečné pro životní prostředí nebo škodlivé lidskému zdraví! Nepotřebné nebo nepoužitelné přístroje můžete zdarma odevzdat v místě distribuce, respektive u všech takových distributorů, kteří se zabývají prodejem zařízení, která mají stejné parametry a funkci. Odevzdat můžete i na sběrných místech určených ke shromažďování elektronického odpadu. Tak chráníte životní prostředí, své zdraví a zdraví ostatních. V případě jakéhokoliv dotazu kontaktujte místní organizaci zabývající se zpracováním odpadu. Úlohy předepsané příslušnými právními předpisy vztahujícími se na výrobce vykonáváme a neseme s tímto spojené případné náklady.

LIKVIDACE BATERIÍ A AKUMULÁTORŮ

S bateriemi / akumulátory se nesmí nakládat jako s běžným domovním odpadem. Zákonnou povinností uživatele je odevzdání upotřebených baterií / akumulátorů na určeném sběrném místě v bydlišti nebo v prodejnách. Tím je zajištěno zneškodnění zbytků baterií / akumulátorů ekologickým způsobem.



snima starih kaset

Prije korištenja proizvoda pročitajte, odnosno sačuvajte uputu za uporabu. Originalna uputa je pripremljena na mađarskom jeziku. Osobe sa smanjenom fizičkom, psihičkom ili osjećajnom sposobnošću, kojima nedostaje znanje i iskustvo, i starije od 8 godina, samo u tom slučaju mogu koristiti uređaj ukoliko to čine uz nadzor, ili su dobili upute za sigurno korištenje uređaja i razumiju opasnosti koje proizilaze iz uporabe uređaja. Djeca se ne smiju igrati s uređajem. Djeca mogu čistiti ili održavati uređaj samo u slučaju da ih nadzire odrasla osoba. Nakon otvaranja ambalaže uvjerite se nije li proizvod oštećen tijekom isporuke. Djecu držati dalje od ambalaže, ukoliko sadrži plastičnu vreću ili druge opasne materijale!

- **Primanje 11 svjetskih AM-FM-SW radio grupa • Podešavanje zvuka pomoću dvostrukog gumba • Snimanje kaset** sa funkcijom automatskog zaustavljanja • **Ugrađen mikروفon • MP3/WMA reprodukcija USB/SD uređaja • Digitaliziranje starih analognih snimaka • Snimanje na kasetu ili na USB/SD uređaj sa svih dostupnih izvora signala • Mogu biti snimani i zvuk radia i mikrofona • Možete spremiti vaše stare kasete digitalizirane na MP3 format na USB ili SD uređaj**•Utičnica slušalica: $\varnothing 3,5$ mm • **Napajanje:** kabel za napajanje je uključen, 4 x D/LR20 (1,5 V) baterije (nisu uključene), snaga 6 V= adapter (nije uključen)

KORIŠTENJE, NAPAJANJE

Uređaj ima tri različite opcije za napajanje. Možete uključiti priloženi kabel za napajanje u utičnicu. Uređaj također može raditi sa 4 x D (LR20 / 1,5 V) baterije ili sa odvojenom 6 V= solarnom pločom, akumulatorom ili adapterom (MW 3K10 nije obavezno) uključenim u stražnju (16) utičnicu.

- *Stavite 4 komada D tipa baterije u držač baterija pazeći na polaritet. Ako uređaj radi sa baterijama ili akumulatorom, oni se neće puniti kabelom za napajanje, niti spajanjem 6 V= napajanja.*
- *Kada ne koristite uređaj, isključite ga sa glavnim napajanjem! Kada povežete na glavni mrežni napon izvadite baterije!*
- *Izoplašeni zvuk i smanjena jačina označavaju da su baterije iscrpljene. Odmah ih zamijenite!*
- *Ne koristite različite vrste baterija! Zamjena baterija može se vršiti samo od strane odrasle osobe!*
- *Ako neka tekućina istekne iz baterije, uzмите заштитне rukavice, te očistite držač baterija suhom krpom! Ne otvarajte, ne palite i ne dovodite do kratkog spoja baterije! Zabranjeno je puniti nepunjive baterije! Rizik od eksplozije! Ne koristite akumulator umjesto baterija, jer su njihov napon i učinkovitost dosta manji!*

ODABIR FUNKCIJA

Uređaj je isključen kada je funkcijska tipka (12) u TAPE položaju, te se reprodukcija kasete ne koristi. Tri moguća načina rada su:

RADIO: možete pretraživati 11 različitih tipova stanica

USB/SD: SD kartica ili USB uređaj mogu biti povezani zbog reprodukcije glazbe ili snimanja

TAPE: reprodukcija sa kasete, snimanje kasete

KORIŠTENJE RADIA

Postavite u poziciju RADIO (12), zatim odaberite željenu grupu pomoću (13) prekidača. U slučaju FM i SW grupa, pažljivo izvucite antenu, te ju postavite u položaj najboljeg primanja. Naštimate željenu radio poziciju pomoću TUNING (4) dvostrukog gumba.

- *Kvaliteta primanja radia zavisi od mjesta uporabe i uslova primanja.*
- *Pažljivo rukujte sa antenom kako ju ne biste slomili!*
- *Kada slušate AM grupu, ugrađena antena će raditi. Ne izvlačite antenu ali okrenite cijeli uređaj u najbolju poziciju za primanje signala.*
- *Električni uređaji koji se nalaze u blizini mogu ometati prijem!*

MP3/WMA REPRODUKCIJA (SA SD KARTICE ILI USB UREĐAJA)

Umetnite uređaj za pohranu podataka u određeni utor. Reprodukcija će automatski započeti. Moguće funkcije: ► || reprodukcija, pauza (5) / ◀▶ preskakanje programa (7) (8) / REC početak reprodukcije (6).

Možete obavljati snimanja sa svih mogućih izvora signala. Odaberite npr. željenu radio stanicu, zatim pritisnite **REC (6)** tipku. Crvena LED svjetlost će blinkati brzo, te će snimanje započeti na umetnuti USB ili SD uređaj. Za snimanje sa ugrađenog mikrofona, trebate započeti snimanje u **USB/SD** načinu. Ako dva puta pritisnete **REC (6)** tipku, snimanje će se zaustaviti i reproducirati. Ovaj put će crvena LED svjetlost blinkati sporije.

- *Snimanje će se spremiti u „rec“ mapu u MP3 formatu (=128KB/s).*
- *Prethodno snimljeni dio se može izbrisati sa držača podataka, pa prethodno napravite kopije na vaše računalo.*
- *Ne sklanjajte memorijsku karticu ili USB uređaj prilikom rada, jer to može uzrokovati oštećenje podataka!*
- *Preporučena struktura datoteke je: FAT32. Ne koristite NTFS formatiran memorijski uređaj!*
- *Nakon umetanja memorijskog uređaja, reprodukcija će započeti sa prve pjesme. Ako ste ju prethodno slušali, onda će reprodukcija započeti sa posljednje označene pjesme, čak i ako je uređaj bio isključen ili ako je memorijska kartica bila izvađena.*
- *Nepravilan rad može biti uzrokovan od strane jedinstvenih značajki glavnog uređaja za pohranu što ne označava kvar uređaja!*

KORIŠTENJE SNIMAČA KASETA

Korištenjem tipki ispod odjeljka za kasetu možete upravljati vrpcom na tradicionalan način. Pritisnite ih čvrsto, ali pažljivo. Umetnite kasetu tako da ima svoje otvore na dnu i cijelu osovinu na lijevoj strani. Nakon reprodukcije stvarne strane, uređaj će se isključiti. Okrenite kasetu i restartujte reprodukciju.

Za snimanje umetnite praznu vrpcu, te pritisnite zajedno tipke snimanje i reprodukcija. Prvo zaustavljanje reprodukcije ili snimanja vrši se pomoću **STOP** tipke ako želite brzo namotavanje tipki. Ako je brzo premotavanje na kraju kasete, pritisnite **STOP** tipku odmah. Uvijek koristite **STOP** za izlaz na prethodnu funkciju prije zamjene načina. Uvijek možete snimati s izvora sa kojeg slušate. Ugrađeni mikروفon je postavljen na lijevoj strani od tipke **VOLUME**. Ako želite snimati, samo započinite snimanje u **TAPE** načinu.

- *Korištenje C-60 (C-90) tipa kasete se preporučuje!*
- *Ne možete pritisnuti tipku rec ako nema kasete ili ako je slomljen umetak za inhibiciju, ne forsirajte!*
- *AUTO-STOP funkcija radi u načinima reprodukcije ili snimanja.*
- *Pažite da ne dodirnete kuku unutar kasete prilikom rukovanja, jer to može uzrokovati prekid vrpce!*
- *Kada reproducirate druga snimanja napravljena na drugim uređajima, to može uzrokovati veliki gubitak zvuka prilikom devijacije azimuta- kada su slušalice postavljene drugačije. Ovo nije prednost ovog uređaja.*
- *Ne pohranjujte kasete u blizini električnih uređaja ili magneta!*

VIŠESTRUKO SNIMANJE

Možete napraviti snimanja na kasetama ili na USB/SD uređaje na mnoge načine. U oba slučaja, možete snimati ugrađni mikrofonski ili radio zvuk, možete digitalno arhivirati vašu staru kasetu u MP3 formatu na vaš USB ili SD uređaj. Možete kopirati ove datoteke poslije na vaše računalo ili mobilni uređaj.

- *Ne pohranjujte kasete u blizini električnih uređaja ili magneta!*

IZLAZ SLUŠALICA

Možete povezati vaše slušalice opremljene sa 3,5 mm utikačem u utičnicu za slušalice postavljenu na stražnjoj strani uređaja. Zvučnici će se isključiti. Kada je uređaj mono, mono zvuk će biti moguć na oba zvučnika slušalica.

ČIŠĆENJE

Ugasite i isključite uređaj sa napajanja prije čišćenja! Koristite suhu, meku krpu za čišćenje plastičnog kućišta! Ne koristite agresivne čistače ili tekućine! Izbjegnite da voda uđe unutar uređaja ili na njegove konektore!

Kada koristite vrpce za snimanje, potrebno je da očistite vrpce, namotaje, te slušalice koje su u kontaktu sa vrpcom. To se treba obavljati jednom mjesečno kod kvalificirane osobe. Preporučivaju je specijalna tekućina za čišćenje za ovu svrhu.

RJEŠAVANJE PROBLEMA

U slučaju bilo kakvog kvara, ugasite uređaj i isključite ga sa napajanja! Probajte poslije ponovno upaliti uređaj. Ako problem i dalje postoji, pogledajte sljedeću listu. Ovaj vodič će vam pomoći da identifikirate grešku, ako je uređaj povezan kako je opisano. Ako je potrebno kontaktirajte profesionalistu!

- Uređaj i zvučnici ne rade.

- Nebyl zvolen správný zdroj signálu nebo je ztlumená hlasitost.
- Nije odabran pravi izvor signal ili je uređaj utišan.
- Provjerite poziciju tipke VOLUME i prekidače RADIO/USB-SD/TAPE.
- Kabel za napajanje nije dobro povezan
- Provjerite kako ste uključili kabel na uređaj i u električnu utičnicu.
- Reprodukcia kasete je završena, vrpca je isključena.

- Okrenite kasetu da uzme cijeli krug na lijevu stranu.

- Reprodukcia sa USB/SD izvora ne radi.
- MP3 izvor podataka nije pravilno povezan.
- Provjerite sadržaj podataka pohrane uređaja, te njihovo funkcionisanje na računalu.
- Provjerite napajanje!

UPOZORENJA

- Molimo vas da pažljivo pročitate upute prije uporabe, te da ih sačuvate kako biste ih imali za moguće buduće potrebe!
- Nakon uporabe ugasite uređaj i isključite ga sa napajanja.
- Ne prekrivajte uređaj, osigurajte slobodan protok zraka! Prekrivanje uređaja može uzrokovati pregrijavanje, rizik od požara ili električnog udara!
- Zbog komprimiranih datoteka, primijenjenog programa kompresije i kvalitete SD / USB memorije, može doći do nepravilnog rada, što nije nedostatak uređaja.
- Reprodukcia datoteka koje su podržane nije garantovana u svim slučajevima, jer na to mogu uticati uslovi softvera i hardvera što zavisi od proizvođača. Reprodukcia kopiranih DRM datoteka nije garantovana!
- Mogu postojati razlike između različitih audio datoteka, prilikom različitih parametara kvalitete jačine i zvuka.
- Ne pohranjujte prvo druge tipove datoteka na memorijsku karticu, pa onda ne započinite reprodukciju audio datoteka jer mogu usporiti ili zadržati reprodukciju.
- Proizvođač nije odgovoran za izgubljenje ili oštećene podatke i sl. čak i ako se to desi usljed korištenja proizvoda. Preporučuje se da napravite kopiju datoteka na vašem računalu, koja će biti praprijetna na povezani memorijski uređaj.
- Odmah isključite uređaj ako primijetite neke nepravilnosti, te kontaktirajte profesionalistu! Mnoge nepravilnosti (nema zvuka, neprijatan miris, strani objekti u uređaju i sl.) se mogu odmah primijetiti.
- Ne povezuje kabele prilikom rada uređaja!
- Prisustvo glavnog napona prilagodite uobičajenim zakonima za zaštitu života! Zabranjeno je dirati uređaj ili kabele za povezivanje mokrim rukama. U slučaju štete kabela za napajanje, isključite uređaj odmah!
- Uređaj se treba postaviti tako da se omogućiti lak pristup i isključivanje utičača! Vodite kabel za napajanje kako biste izbjegli da bude izvučen ili da se neko slučajno spotakne o njega! Ne vodite kabel ispod tepiha, namještaja i sl.
- Zvučnici sadrže magnete, pa ne postavljajte objekte u njihovu blizinu koji mogu osjetiti magnetsko polje (npr. Kreditne kartice, kasete, kompas.)
- Uređaj može biti povezan samo na propisano uzemljenje 230V ~50 Hz zidne utičnice!
- Uklonite baterije kada uređaj koristite sa propisanim napajanjem glavne utičnice!
- Ne izlažite uređaj prskanju vodom, te ne postavljajte objekte napunjene tekućinom, kao što su čaše na uređaj! Otvoreni izvori plamena, kao što su svijeće se ne smiju postavljati na uređaj!
- Ne pokušavajte rastaviti uređaj ili njegov pribor, jer to može uzrokovati požar, nesreću ili električni udar!
- Zaštite od prašine, vlažnosti, tekućina, zračenja, smrzavanja, udara i direktnog radijacijskog i sunčevog zračenja! Koristite samo u zatvorenom prostoru u suhim uvjetima!
- Ne postoji jamstvo za kvarove koji nastaju prilikom nepravilnog postavljanja ili neodgovorne uporabe.
- Somogyi Elektronik Ltd. certifikat koji ovu radio opremu prilagodava 2014/53/EU direktivi. Cijel tekst EU certifikata o udobnosti možete pronaći na sljedećem linku: www.somogyi.hu
- Prilikom kontinuirane uporabe dizajn i specifikacije se mogu promijeniti bez prethodne najave.
- Ne preuzimamo odgovornost za printane greške, te se izvinjavamo ako postoje neke.



Opasnost od strujnog udara! Zabranjeno je rastaviti, modificirati uređaj ili njegov pribor! U slučaju oštećenja bilo kog dijela proizvoda, odmah ga isključite iz struje i obratite se stručnoj osobi!



Ako se priključni kabel za struju ošteti, može se zamijeniti isključivo s kablom koji se nabavi od proizvođača ili njegovog servisera!



U cilju izbjegavanja oštećenja sluha nemojte dugo slušati s velikom jačinom zvuka.



Uređaji koji se odlazu u otpad se trebaju izdvojeno prikupljati, odvojeno od otpada iz kućanstva, jer mogu u sebi sadržati komponente koje su opasne po okoliš i ljudsko zdravlje! Korišteni ili uređaji koji se odlazu u otpad se besplatno mogu odnijeti na mjesto njihove distribucije, odnosno kod takvog distributera koji vrši prodaju uređaja istih karakteristika i funkcije. Mogu se odložiti i na deponijima koji su specijalizirani za odlaganje elektronskog otpada. Ovimе Vi štite Vaš okoliš, Vaše i zdravlje drugih ljudi. Ukoliko imate pitanja, obratite se lokalnoj organizaciji za odlaganje otpada. Prihvaćamo na sebe zakonom određene obveze koje su propisane za proizvođače i sve troškove koji su u vezi s tim.

NEUTRALIZACIJA BATERIJA, AKUMULATORA

Baterije i akumulatorе treba izdvojeno tretirati od smeća iz kućanstva. Korisnik je zakonom obavezan korištenje i ispražnjene baterije i akumulatorе dostaviti na deponije za otpad ili ih odnijeti do njihovog prodavatelja. Na ovaj način se osigurava njihova pravilna neutralizacija.

Uvoznik za BiH: **DIGITALIS d.o.o.**, M.Spahe 2A/30, 72290 Novi

Travnik, BiH • Tel: +387 61 095 095 • Zemlja porijekla: Kina

Proizvođač: Somogyi Elektronik Kft.

Uvoznik za HR: **ZED d.o.o.**, Industrijska c. 5, 10360 Sesvete,

Hrvatska • Tel: +385 1 2006 148 • Zemlja porijekla: Kina

Proizvođač: Somogyi Elektronik Kft.



SOMOGYI ELEKTRONIC®