

### PRODUCT No. 7625

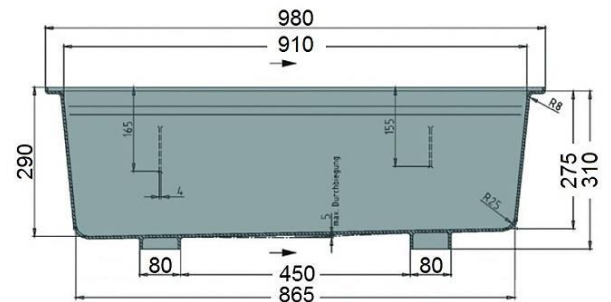
### Plastic trough with a sink-hole – 100 l



(Illustrative photograph)

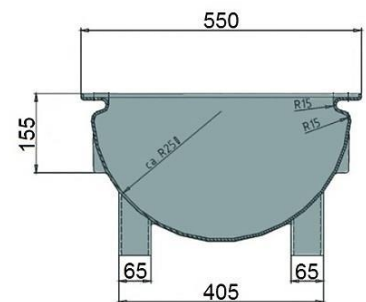
#### Technical data

Material	Polyethylene (HDPE)
Capacity	100 l
Weight	6,3 kg
Load capacity	100 kg
Temperature resistance	- 30 / + 40 °C
Length (Inner/outer)	910 / 980 mm
Width (Inner/outer)	440 / 550 mm
Height (Inner/outer)	275 / 310 mm



#### Attributes

- Made of high density polyethylene (HDPE).
- Suitable for contact with food.
- Resistant to majority of chemicals and detergents.
- Smooth inner and outer surface.
- Total height (trough and stand) – 825 mm (7625 and 7626).
- Suitable for food industry, eg for meat processing, fish process, detergents, etc.



#### Color variations

- Standardly white.

#### Product purpose

- DEsigned for usage in food or chemical industry.

#### Additions

- Stand (type 7626) or wall holder (7627) can be ordered.

